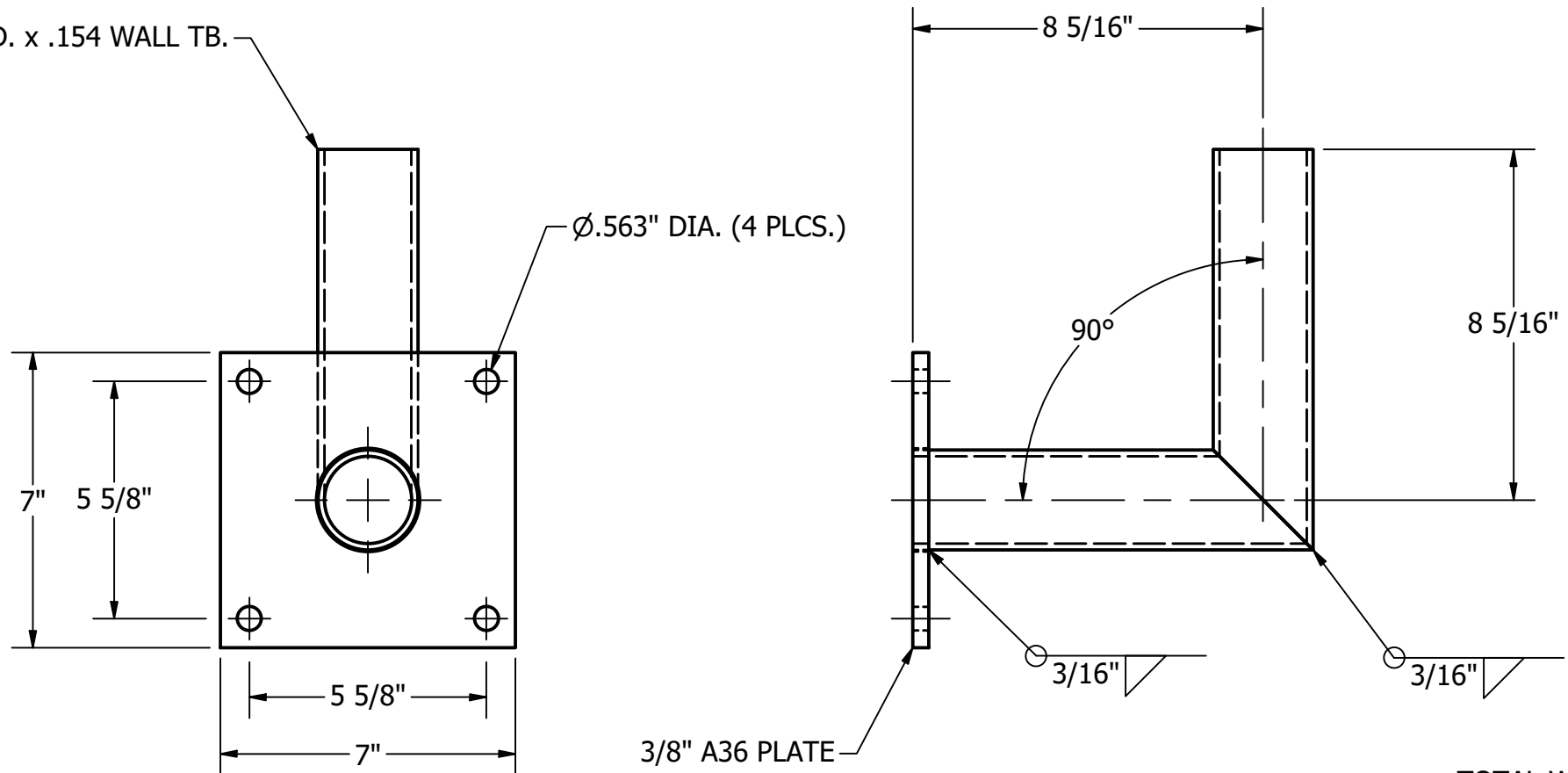


2 3/8" O.D. x .154 WALL TB.

Ø.563" DIA. (4 PLCS.)



3/8" A36 PLATE

TOTAL WT. = 9.670 lbmass
.4 EPA

REV	DATE	BY	DESCRIPTION

THIS DOCUMENT CONTAINS PROPRIETARY INFORMATION. DUPLICATION OR DISCLOSURE IS PROHIBITED WITHOUT THE EXPRESSED WRITTEN CONSENT OF FABRICATED METALS LLC	TOLERANCES: UNLESS OTHERWISE SPECIFIED	DRAWN BY: P. DAUGHERTY APPROVED: PD ECN: SCALE: 1/2" = 1" DATE: 1/2/2019
	FRACTIONAL ±1/8" 2 PLACE DEC. ±.03 3 PLACE DEC. ±.005 ANGULAR ±1°	

UTILITY METALS (A DIVISION OF FABRICATED METALS LLC.)
DESCRIPTION: HEAVY RIGHT ANGLE BRACKET

PART NO. RABH-BKT000085
DWG NO. G-8129-0
REV 0