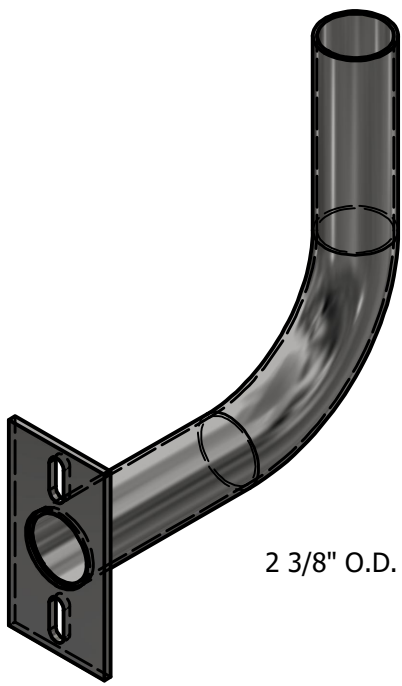
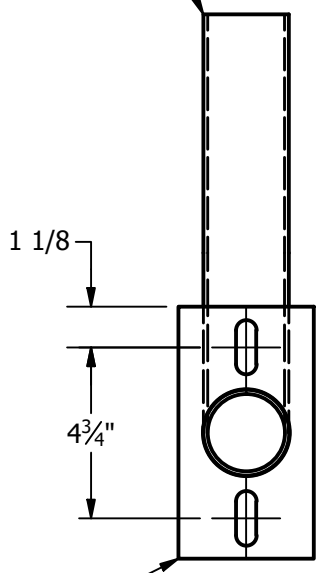


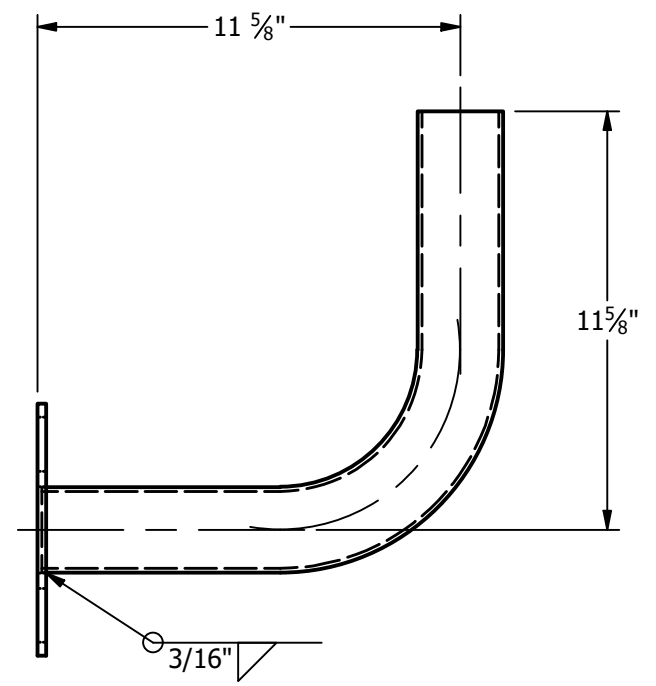
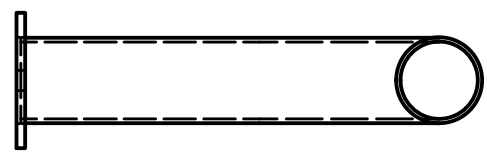
REV	01	9-13-19	P.D.
DATE			
BY			
DESCRIPTION			
CHANGED RAD. TO 5"			



2 3/8" O.D. x .120 WALL TB.



1/4" PLATE



TOTAL WT. = 6.496 lbmass

THIS DOCUMENT CONTAINS PROPRIETARY INFORMATION. DUPLICATION OR DISCLOSURE IS PROHIBITED WITHOUT THE EXPRESSED WRITTEN CONSENT OF FABRICATED METALS LLC	TOLERANCES: UNLESS OTHERWISE SPECIFIED		DRAWN BY: P. DAUGHERTY
	FRACTIONAL	±1/8"	APPROVED: PD
	2 PLACE DEC.	±.03	ECN:
	3 PLACE DEC.	±.005	SCALE: 3/16" = 1"
	ANGULAR	± 1°	DATE: 1/14/2019

UTILITY METALS (A DIVISION OF FABRICATED METALS LLC.)	
RIGHT ANGLE BRACKET FOR SQUARE POLE MOUNTING	

PART NO. RABX-4	
BKT000015	
DWG NO. F-8658-01	REV 01