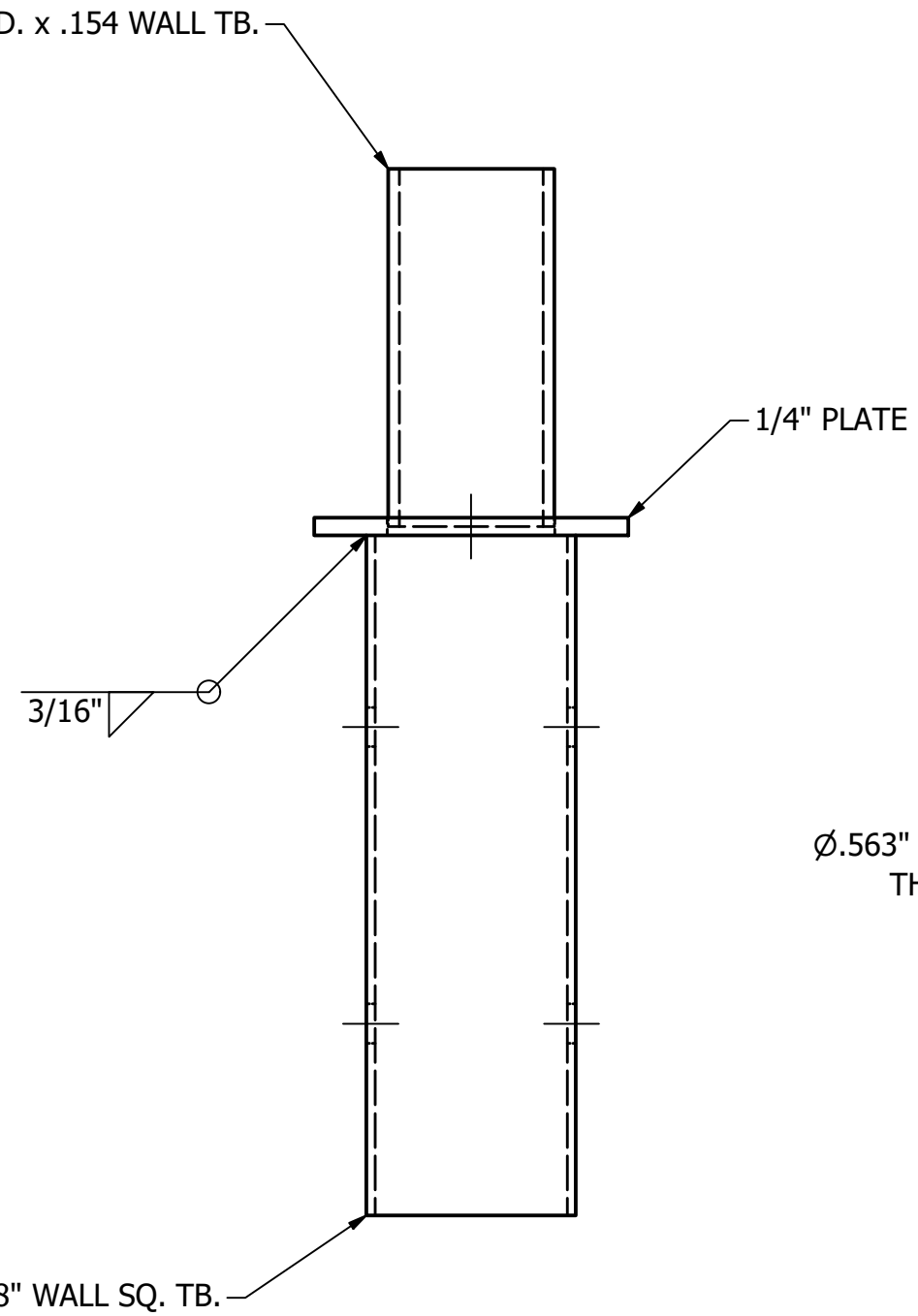


2 3/8" O.D. x .154 WALL TB.

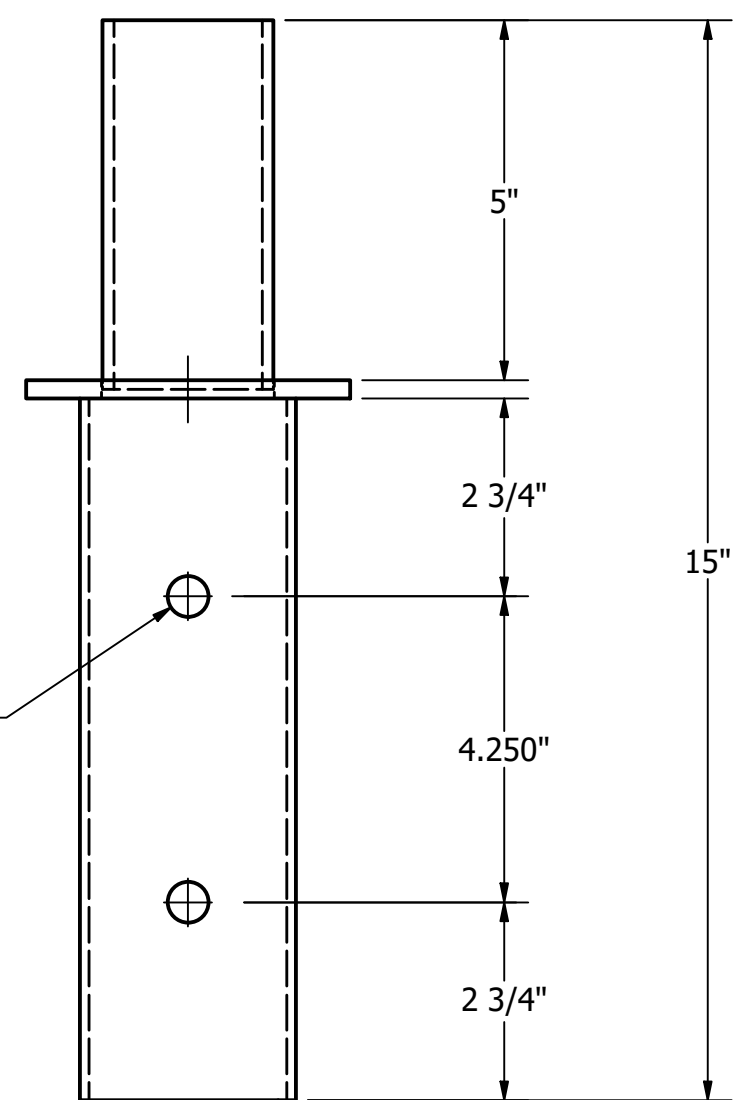
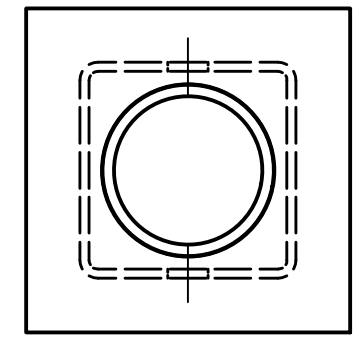


1/4" PLATE

3/16"

Ø.563" DIA. (2 PLCS.) THROUGH

3" x 3" x 1/8" WALL SQ. TB.



TOTAL WT. = 7.244 lbmass

			THIS DOCUMENT CONTAINS PROPRIETARY INFORMATION. DUPLICATION OR DISCLOSURE IS PROHIBITED WITHOUT THE EXPRESSED WRITTEN CONSENT OF FABRICATED METALS LLC	TOLERANCES: UNLESS OTHERWISE SPECIFIED FRACTIONAL ±1/8" 2 PLACE DEC. ±.03 3 PLACE DEC. ±.005 ANGULAR ±1°	DRAWN BY: P. DAUGHERTY	UTILITY METALS (A DIVISION OF FABRICATED METALS LLC.)	PART NO. RTASQ4-2	
					APPROVED: PD		BKT000020	
01	10-16-18	P.D.	2.4 DIA. WAS 1 1/2" - ECR-128	ECN:	DESCRIPTION: 4" SQUARE REMOVABLE TENON ADAPTER		DWG NO. G-8135-01	REV 01
REV	DATE	BY	DESCRIPTION	SCALE: 3/8" = 1"			DATE: 3/28/2018	