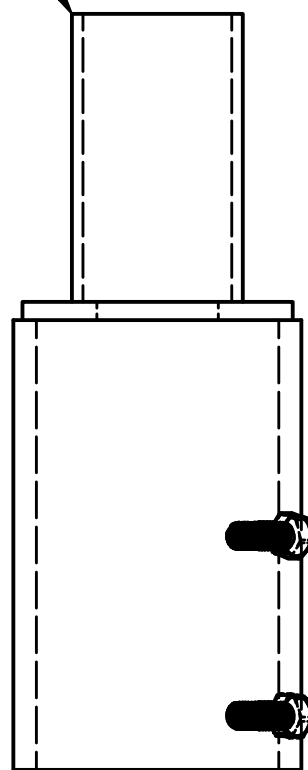
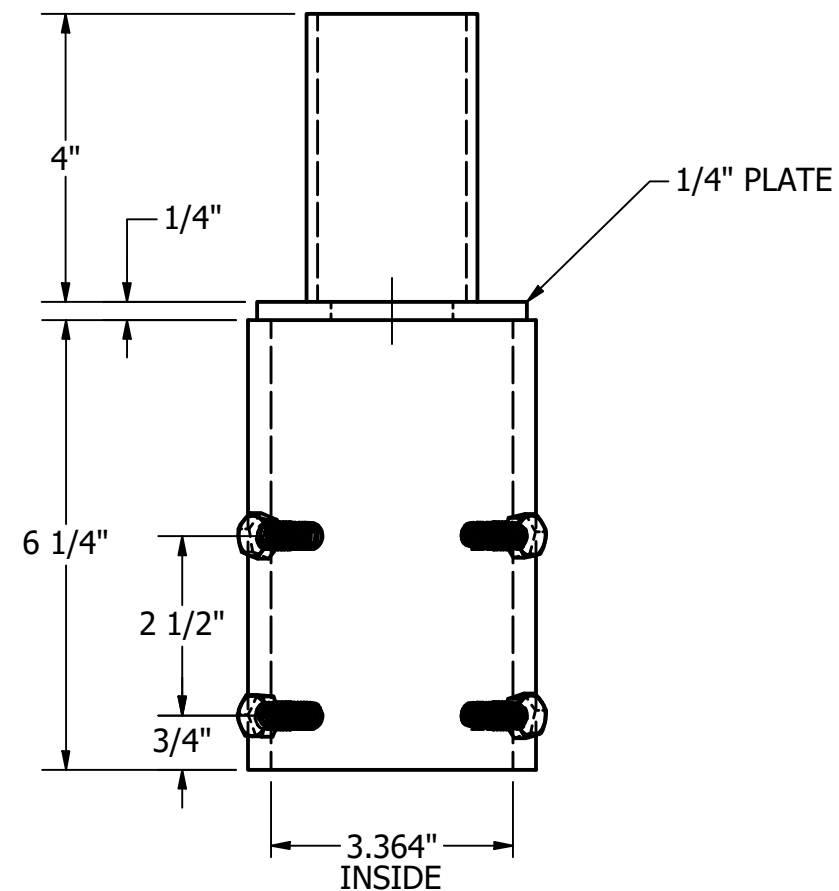
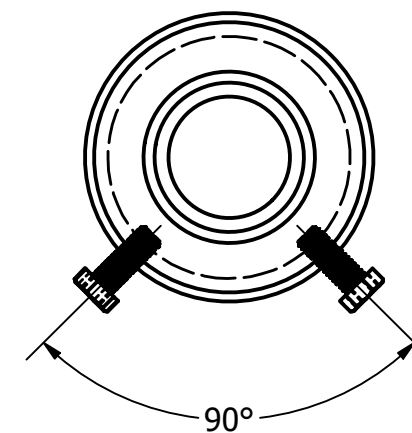


2 3/8" O.D. x .154 WALL TB.



3 1/2" SCH. 80 PIPE



TOTAL WT. = 8.495 lbmass

REV	DATE	BY	DESCRIPTION

THIS DOCUMENT CONTAINS PROPRIETARY INFORMATION. DUPLICATION OR DISCLOSURE IS PROHIBITED WITHOUT THE EXPRESSED WRITTEN CONSENT OF FABRICATED METALS LLC

TOLERANCES: UNLESS OTHERWISE SPECIFIED
 FRACTIONAL ±1/8"
 2 PLACE DEC. ±.03
 3 PLACE DEC. ±.005
 ANGULAR ±1°

DRAWN BY: P. DAUGHERTY
 APPROVED: PD
 ECN:
 SCALE: 3/8" = 1"
 DATE: 2/7/2018

UTILITY METALS
 (A DIVISION OF FABRICATED METALS LLC.)

DESCRIPTION:
3" TO 2" TENON REDUCER

PART NO. TR-30-2
 BKT000103

DWG NO. G-8109-0
 REV 0