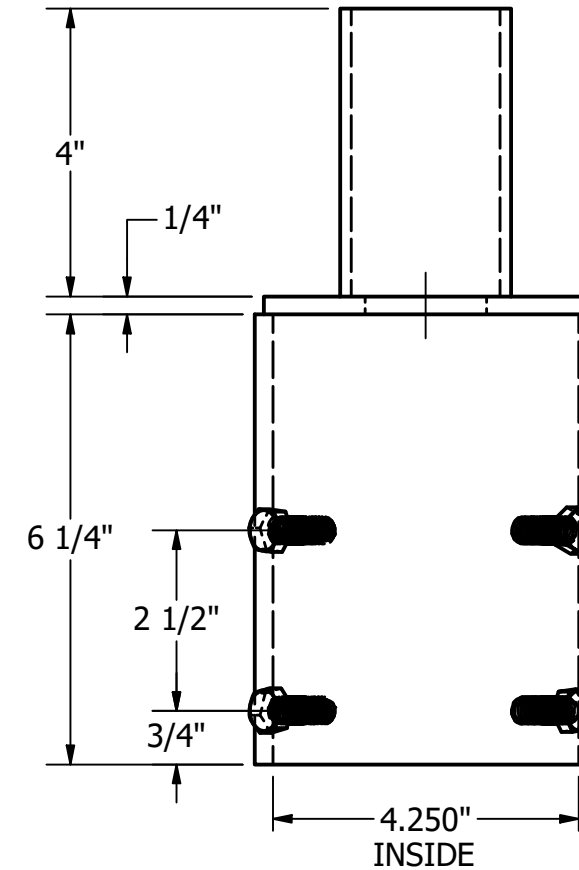


2 3/8" O.D. x .154 WALL TB.

1/4" PLATE

4 3/4" O.D. x 1/4" WALL TB.



TOTAL WT. = 8.592 lbmass

REV	DATE	BY	DESCRIPTION	THIS DOCUMENT CONTAINS PROPRIETARY INFORMATION. DUPLICATION OR DISCLOSURE IS PROHIBITED WITHOUT THE EXPRESSED WRITTEN CONSENT OF FABRICATED METALS LLC	TOLERANCES: UNLESS OTHERWISE SPECIFIED FRACTIONAL ±1/8" 2 PLACE DEC. ±.03 3 PLACE DEC. ±.005 ANGULAR ±1°	DRAWN BY: P. DAUGHERTY APPROVED: PD ECN: SCALE: 3/8" = 1" DATE: 2/7/2018	UTILITY METALS (A DIVISION OF FABRICATED METALS LLC.) DESCRIPTION: 4" TO 2" TENON REDUCER	PART NO. TR-40-2 BKT000105 DWG NO. G-8111-0	REV 0
-----	------	----	-------------	--	--	--	--	---	-------