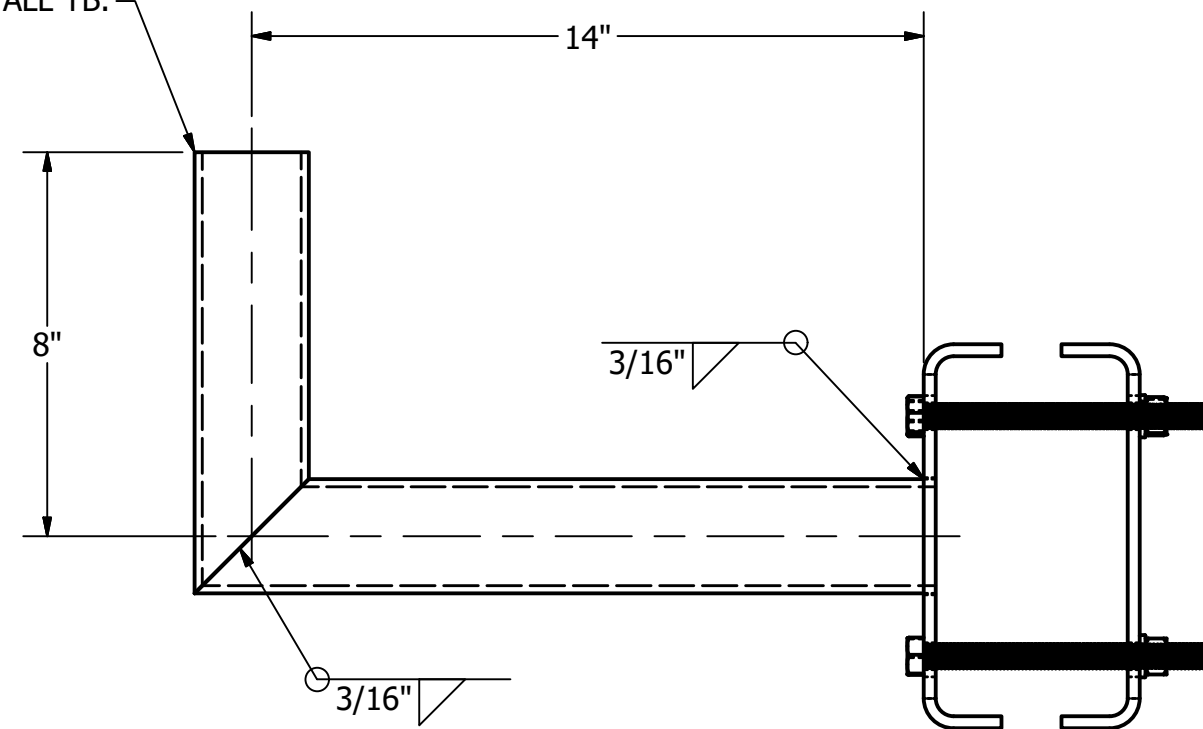


2 3/8" O.D. x .154 WALL TB.



TOTAL WT. = 17.001  
lbmass

REV	DATE	BY	DESCRIPTION

THIS DOCUMENT CONTAINS PROPRIETARY INFORMATION. DUPLICATION OR DISCLOSURE IS PROHIBITED WITHOUT THE EXPRESSED WRITTEN CONSENT OF FABRICATED METALS LLC

TOLERANCES: UNLESS OTHERWISE SPECIFIED  
 FRACTIONAL ±1/8"  
 2 PLACE DEC. ±.03  
 3 PLACE DEC. ±.005  
 ANGULAR ±1°

DRAWN BY: P. DAUGHERTY  
 APPROVED: PD  
 ECN:  
 SCALE: 1/8" = 1"  
 DATE: 8/25/2020

UTILITY METALS  
 (A DIVISION OF FABRICATED METALS LLC.)  
 DESCRIPTION: 14" RIGHT ANGLE BRACKET  
 TO WRAP A 4" SQUARE POLE - SINGLE

PART NO. RABH14-N-4SQ  
 DWG NO. G-9336-0  
 REV 0