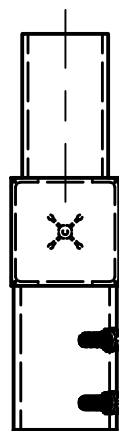
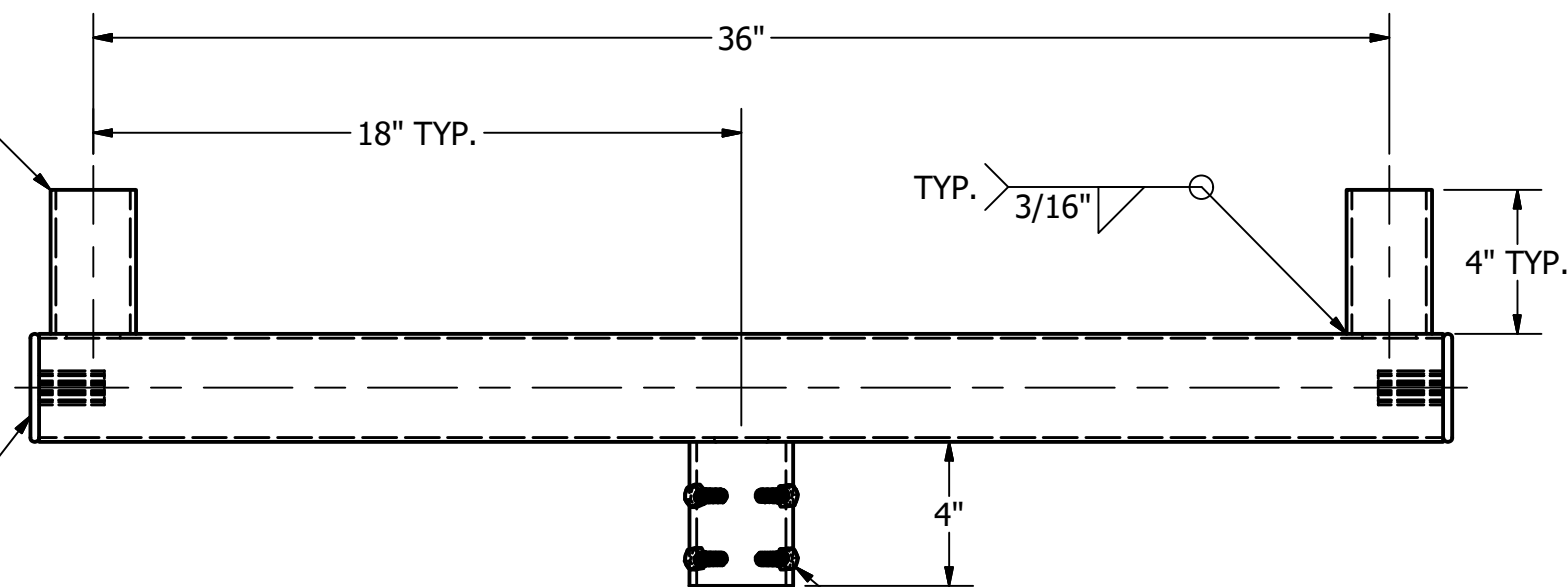


2 3/8" O.D. x .154 WALL TB. TYP.



2 7/8" O.D. x .203 WALL TB.

PRESS FIT CAP



DRILL & TAP 3/8"-16
(2 SETS OF 2 @ 90°)
FOR GALVANIZED BRACKETS ONLY DRILL
& TAP 3/8"-16 .010 OVERSIZED TAP.

TOTAL WT. = 19.921 lbmass

REV	DATE	BY	DESCRIPTION

THIS DOCUMENT CONTAINS PROPRIETARY INFORMATION. DUPLICATION OR DISCLOSURE IS PROHIBITED WITHOUT THE EXPRESSED WRITTEN CONSENT OF FABRICATED METALS LLC	TOLERANCES: UNLESS OTHERWISE SPECIFIED	DRAWN BY: P. DAUGHERTY
	FRACTIONAL ±1/8"	APPROVED: PD
	2 PLACE DEC. ±.03	ECN:
	3 PLACE DEC. ±.005	SCALE: 3/16" = 1"
ANGULAR ±1°	DATE: 10/14/2018	DESCRIPTION:

UTILITY METALS
(A DIVISION OF FABRICATED METALS LLC.)

DESCRIPTION: 2 LIGHT ROUND SQUARE ROUND BRACKET TO SLIPFIT 2 3/8"

PART NO.	RSR-B2-2	REV	0
DWG NO.	BKT000087		
	G-8554-0		