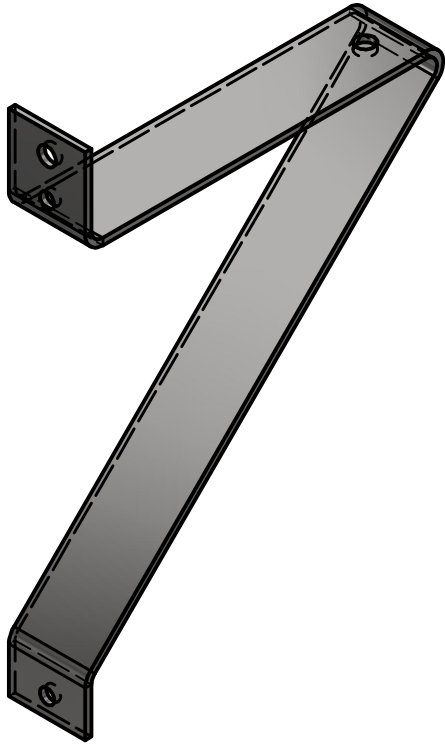
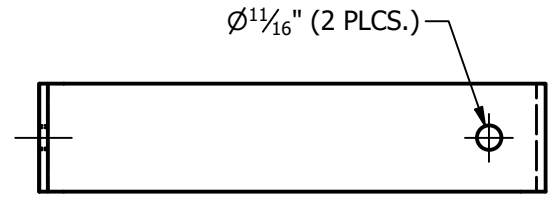


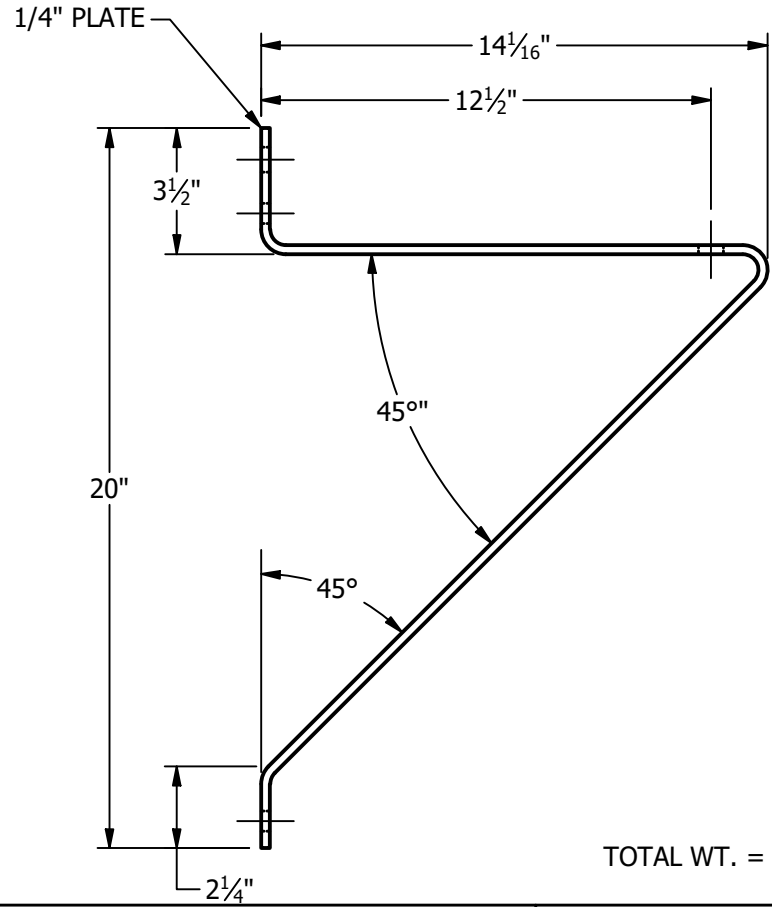
REV			
DATE			
BY			
DESCRIPTION			



Ø⁹/₁₆" (2 PLCS.)



Ø^{1 1}/₁₆" (2 PLCS.)



TOTAL WT. = 8.209 lbmass

THIS DOCUMENT CONTAINS PROPRIETARY INFORMATION. DUPLICATION OR DISCLOSURE IS PROHIBITED WITHOUT THE EXPRESSED WRITTEN CONSENT OF FABRICATED METALS LLC

TOLERANCES:
UNLESS OTHERWISE SPECIFIED
FRACTIONAL ±1/8"
2 PLACE DEC. ±.03
3 PLACE DEC. ±.005
ANGULAR ± 1°

DRAWN BY: P. DAUGHERTY
APPROVED: PD
ECN:
SCALE: 3/16" = 1"
DATE: 4/6/2018

UTILITY METALS
(A DIVISION OF FABRICATED METALS LLC.)
DESCRIPTION:
SIDE ANGLE BRACKET

PART NO. **SAB-Y**
DWG NO. **F-8170-0** REV **0**