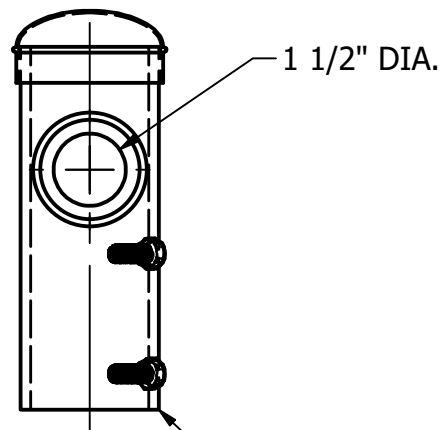
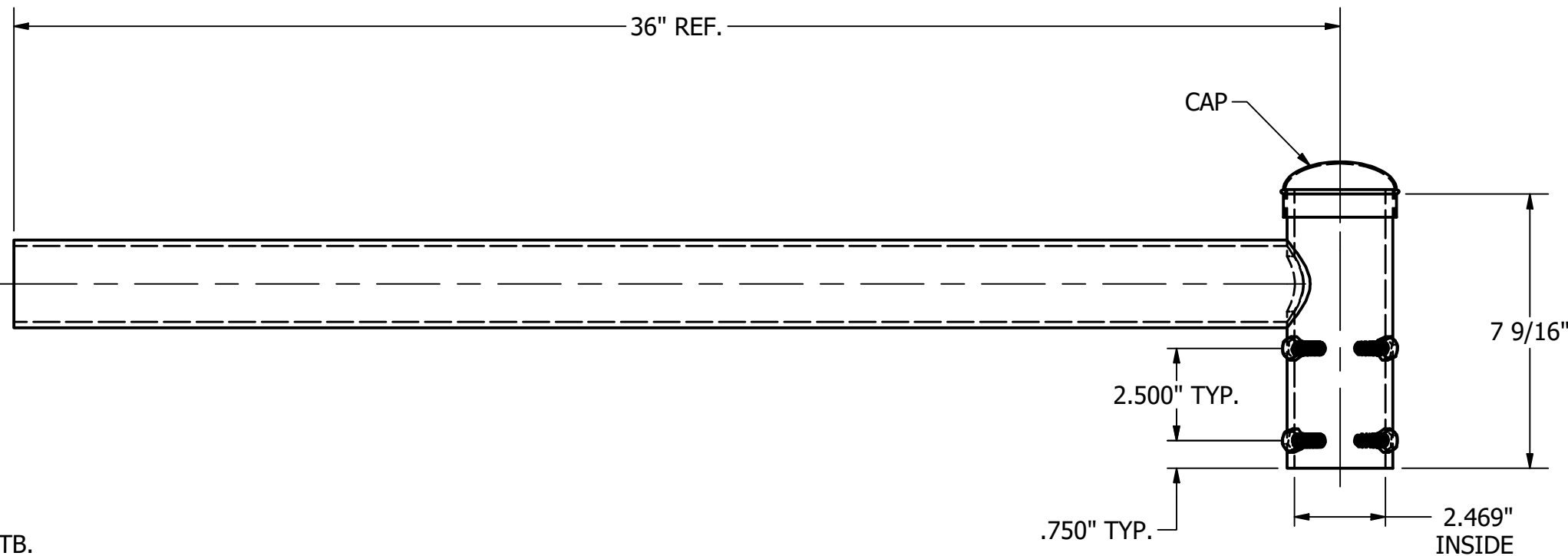
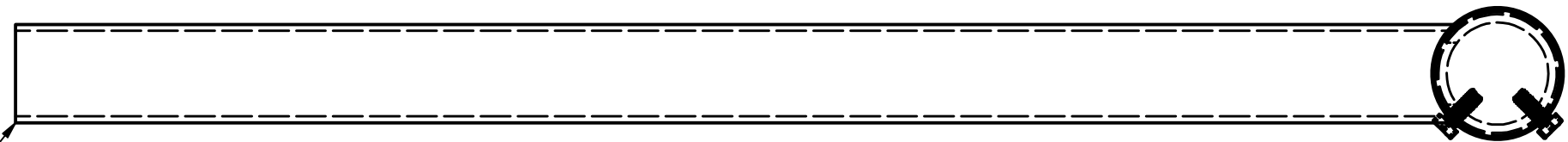


2.3752 3/8" O.D. x .154 WALL TB.



1 1/2" DIA.

2 7/8" O.D. x .203 WALL TB.

TOTAL WT. = 14.387 lbmass

			THIS DOCUMENT CONTAINS PROPRIETARY INFORMATION. DUPLICATION OR DISCLOSURE IS PROHIBITED WITHOUT THE EXPRESSED WRITTEN CONSENT OF FABRICATED METALS LLC	<b>TOLERANCES:</b> UNLESS OTHERWISE SPECIFIED FRACTIONAL ±1/8" 2 PLACE DEC. ±.03 3 PLACE DEC. ±.005 ANGULAR ±1°	DRAWN BY: P. DAUGHERTY	<b>UTILITY METALS</b> (A DIVISION OF FABRICATED METALS LLC.) DESCRIPTION: 2" x 36" SINGLE SPOKE BRACKET FOR 2 3/8" TENON	PART NO. <b>SB-100-36-2</b>	
					APPROVED: PD		DWG NO. <b>G-8268-0</b>	
					ECN:		REV <b>0</b>	
					SCALE: 1/4" = 1" DATE: 5/22/2018			
REV	DATE	BY	DESCRIPTION					