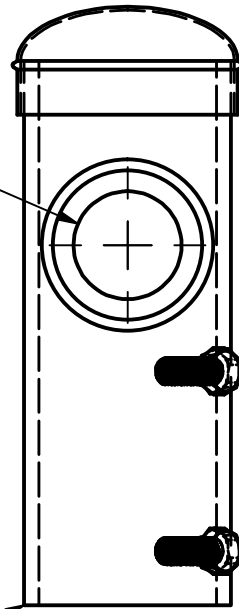
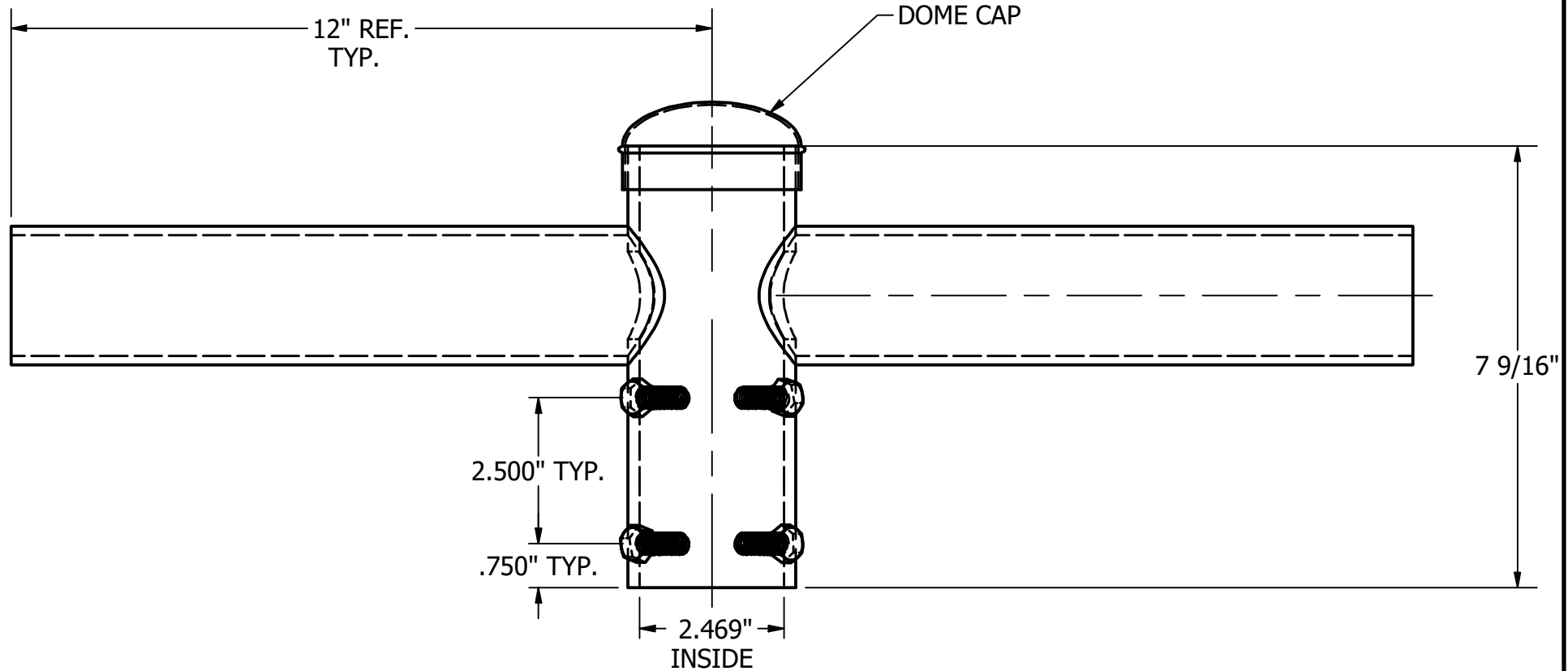


2 3/8" O.D. x .154 WALL TB.

1 1/2" DIA. (2 PLCS.)



2 7/8" O.D. x .203 WALL TB.



TOTAL WT. = 10.260 lbmass

			THIS DOCUMENT CONTAINS PROPRIETARY INFORMATION. DUPLICATION OR DISCLOSURE IS PROHIBITED WITHOUT THE EXPRESSED WRITTEN CONSENT OF FABRICATED METALS LLC	TOLERANCES: UNLESS OTHERWISE SPECIFIED FRACTIONAL ±1/8" 2 PLACE DEC. ±.03 3 PLACE DEC. ±.005 ANGULAR ±1°	DRAWN BY: P. DAUGHERTY	<b>UTILITY METALS</b> (A DIVISION OF FABRICATED METALS LLC.) DESCRIPTION: 2" x 12" 2 @ 180° SPOKE BRACKET FOR 2 3/8" TENON	PART NO. SB-218-12-2 BKT000092	
					APPROVED: PD		ECN:	DWG NO. G-8276-0
					SCALE: 3/8" = 1"		DATE: 5/29/2018	REV 0
REV DATE BY	DESCRIPTION							