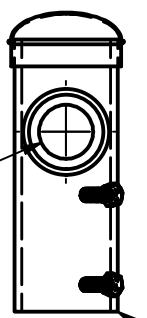


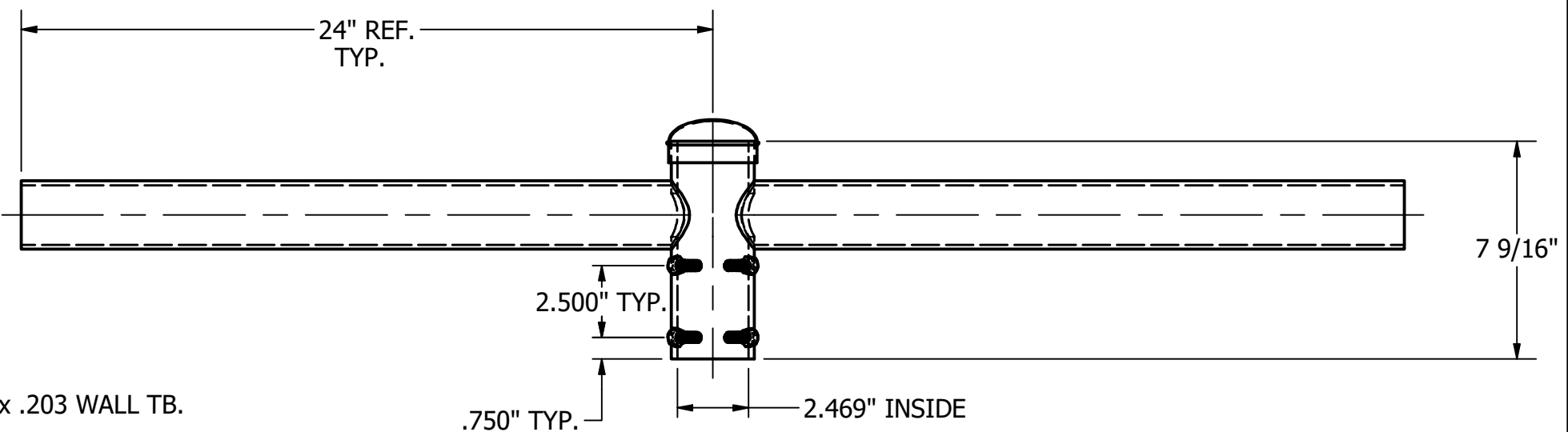
2 3/8" O.D. x .154 WALL TB.



1 1/2" DIA. (2 PLCS.)



2 7/8" O.D. x .203 WALL TB.



TOTAL WT. = 17.576 lbmass

				THIS DOCUMENT CONTAINS PROPRIETARY INFORMATION. DUPLICATION OR DISCLOSURE IS PROHIBITED WITHOUT THE EXPRESSED WRITTEN CONSENT OF FABRICATED METALS LLC	TOLERANCES: UNLESS OTHERWISE SPECIFIED FRACTIONAL ±1/8" 2 PLACE DEC. ±.03 3 PLACE DEC. ±.005 ANGULAR ± 1°	DRAWN BY: P. DAUGHERTY	UTILITY METALS (A DIVISION OF FABRICATED METALS LLC.) DESCRIPTION: 2" x 24" 2 @ 180° SPOKE BRACKET FOR 2 3/8" TENON	PART NO. SB-218-24-2		
						APPROVED: PD		ECN:	DWG NO. G-8284-0	
						SCALE: 3/16" = 1"		DATE: 5/30/2018	REV 0	
REV	DATE	BY	DESCRIPTION							