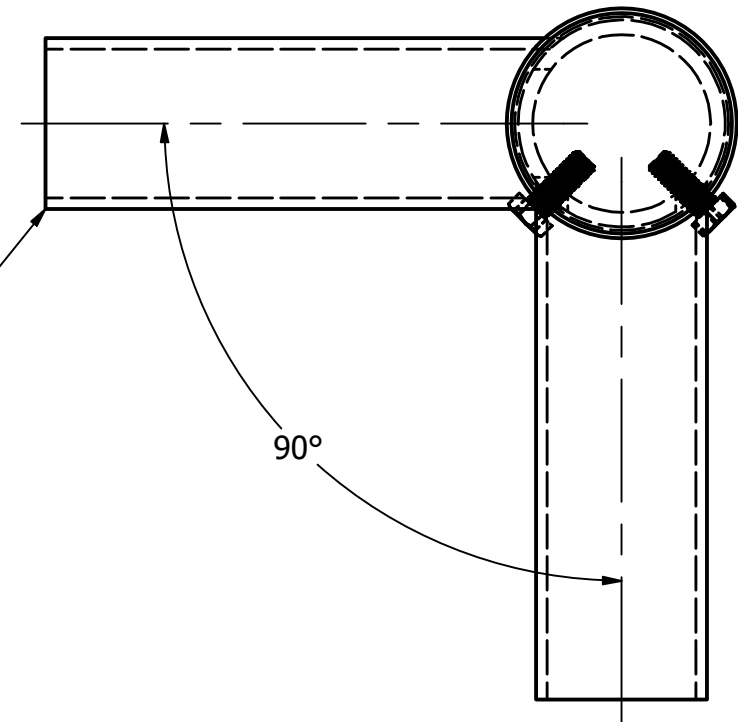
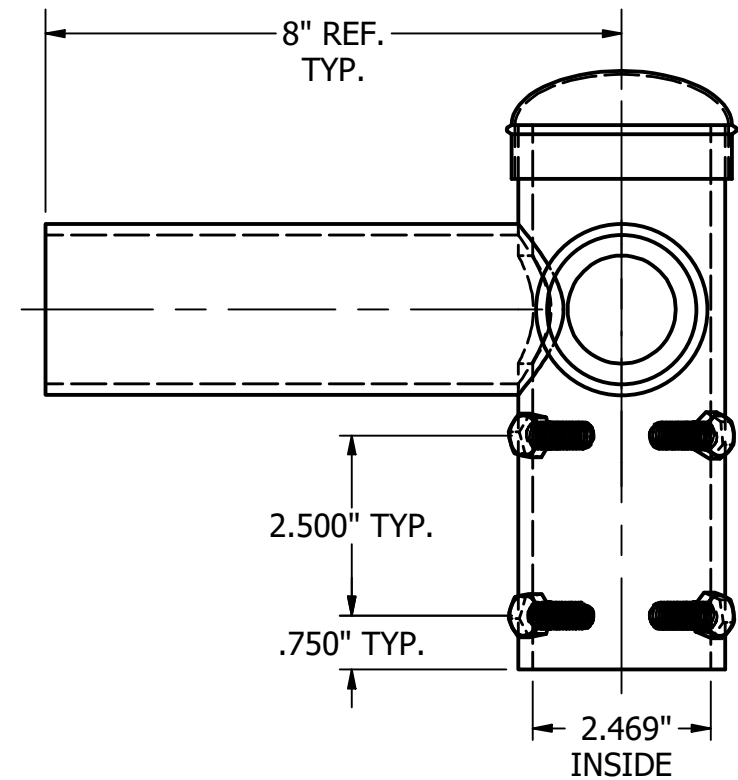
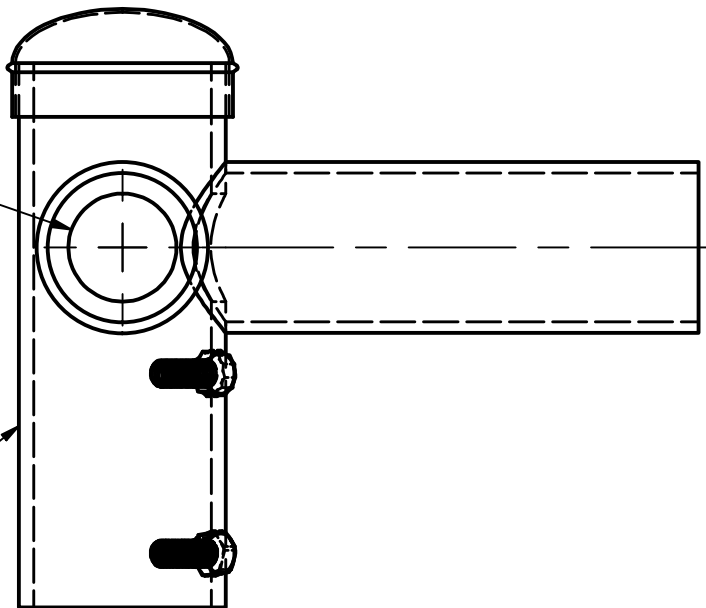


2 3/8" O.D. x .154 WALL TB.



Ø1.500" (2 PLCS.)

2 7/8" O.D. x .203 WALL TB.



BRACKET EPA = .6

TOTAL WT. = 7.823 lbmass

REV	DATE	BY	DESCRIPTION

THIS DOCUMENT CONTAINS PROPRIETARY INFORMATION. DUPLICATION OR DISCLOSURE IS PROHIBITED WITHOUT THE EXPRESSED WRITTEN CONSENT OF FABRICATED METALS LLC	<b>TOLERANCES:</b> UNLESS OTHERWISE SPECIFIED	DRAWN BY: P. DAUGHERTY APPROVED: PD
	FRACTIONAL ±1/8" 2 PLACE DEC. ±.03 3 PLACE DEC. ±.005 ANGULAR ±1°	ECN: SCALE: 3/8" = 1" DATE: 6/12/2018

<b>UTILITY METALS</b> (A DIVISION OF FABRICATED METALS LLC.) DESCRIPTION: 2" x 8" 2 @ 90° SPOKE BRACKET FOR 2 3/8" TENON
--

PART NO. <b>SB-290-08-2</b>
DWG NO. <b>G-8321-0</b>
REV <b>0</b>