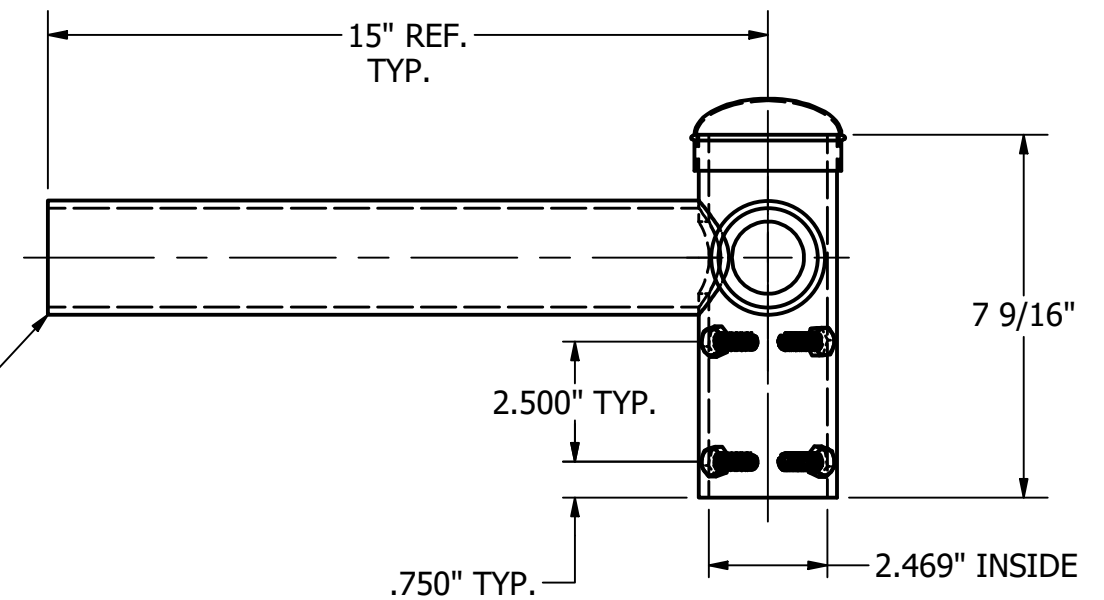


2 3/8" O.D. x .154 WALL TB.



TOTAL WT. = 12.090 lbmass

REV	DATE	BY	DESCRIPTION

THIS DOCUMENT CONTAINS PROPRIETARY INFORMATION. DUPLICATION OR DISCLOSURE IS PROHIBITED WITHOUT THE EXPRESSED WRITTEN CONSENT OF FABRICATED METALS LLC	TOLERANCES: UNLESS OTHERWISE SPECIFIED	DRAWN BY: P. DAUGHERTY
	FRACTIONAL ±1/8"	APPROVED: PD
	2 PLACE DEC. ±.03	ECN:
	3 PLACE DEC. ±.005	SCALE: 1/4" = 1"
ANGULAR ±1°	DATE: 6/12/2018	

UTILITY METALS (A DIVISION OF FABRICATED METALS LLC.)
DESCRIPTION: 2" x 15" 2 @ 90° SPOKE BRACKET FOR 2 3/8" TENON

PART NO.	SB-290-15-2
DWG NO.	G-8329-0
REV	0