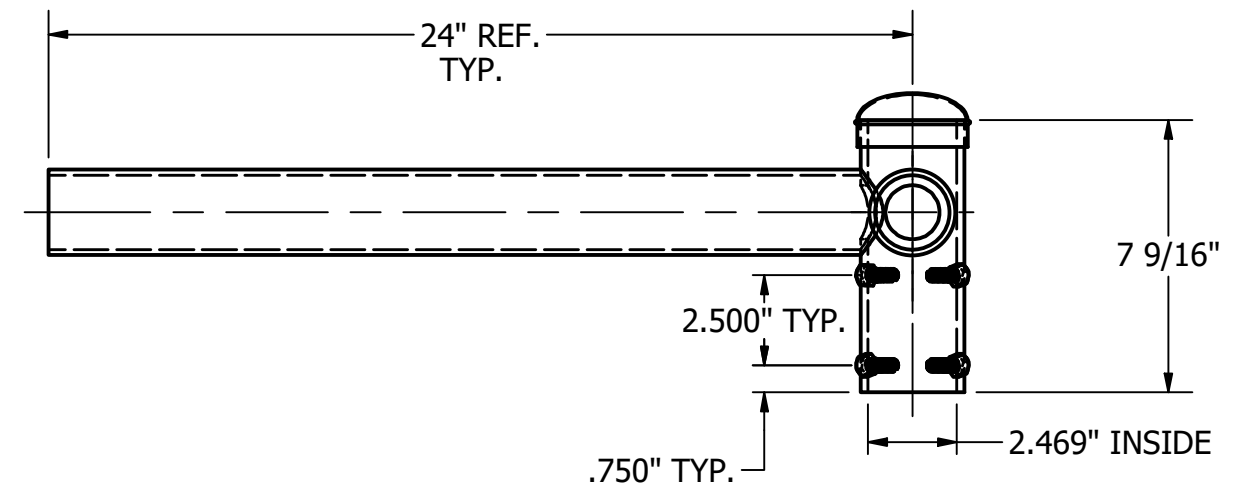
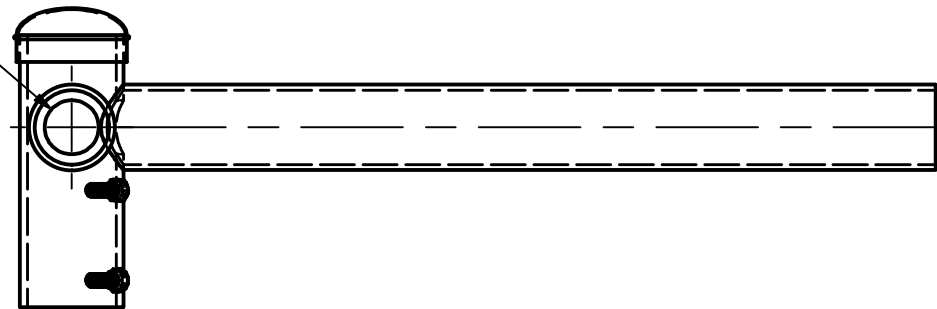


1 1/2" DIA. (2 @ 90°)



TOTAL WT. = 17.576 lbmass

			THIS DOCUMENT CONTAINS PROPRIETARY INFORMATION. DUPLICATION OR DISCLOSURE IS PROHIBITED WITHOUT THE EXPRESSED WRITTEN CONSENT OF FABRICATED METALS LLC	<b>TOLERANCES:</b> UNLESS OTHERWISE SPECIFIED FRACTIONAL ±1/8" 2 PLACE DEC. ±.03 3 PLACE DEC. ±.005 ANGULAR ± 1°	DRAWN BY: P. DAUGHERTY	<b>UTILITY METALS</b> (A DIVISION OF FABRICATED METALS LLC.) DESCRIPTION: 2" x 24" 2 @ 90° SPOKE BRACKET FOR 2 3/8" TENON	PART NO. SB-290-24-2
					APPROVED: PD		DWG NO. G-8333-0
					ECN:		REV 0
					SCALE: 3/16" = 1" DATE: 6/13/2018		
REV	DATE	BY	DESCRIPTION				