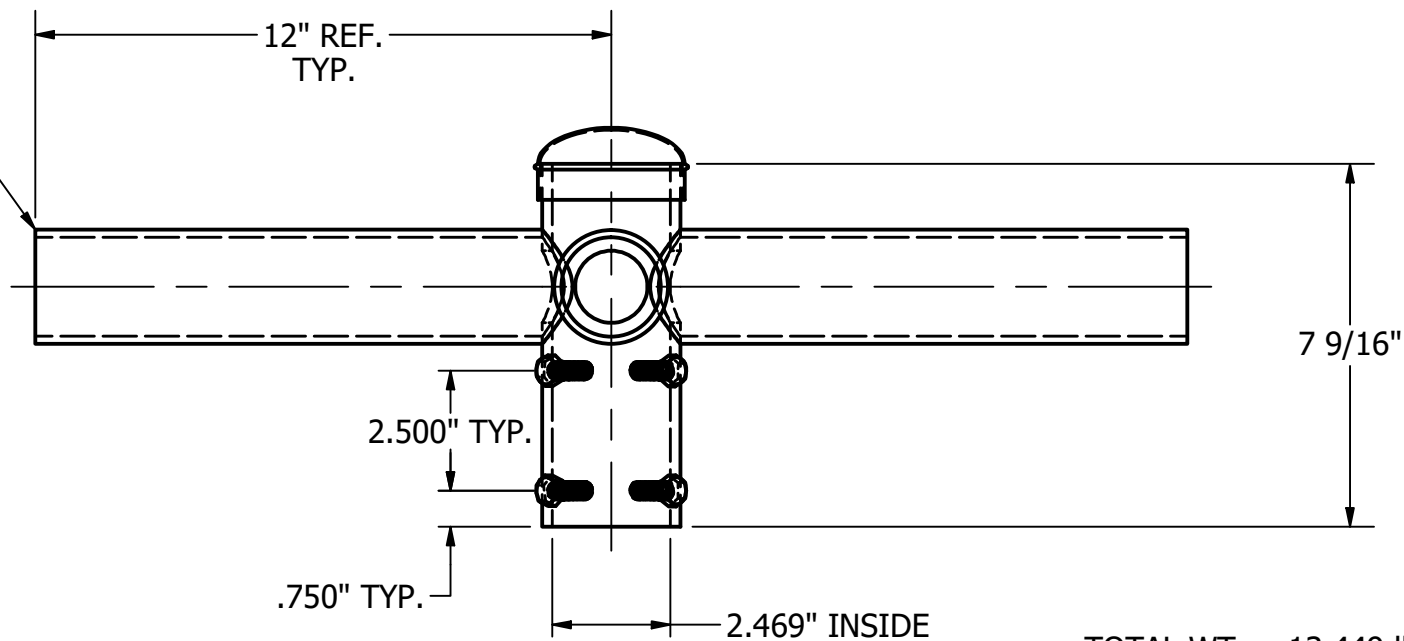


2 3/8" O.D. x .154 WALL TB.



TOTAL WT. = 13.449 lbmass

REV	DATE	BY	DESCRIPTION

THIS DOCUMENT CONTAINS PROPRIETARY INFORMATION. DUPLICATION OR DISCLOSURE IS PROHIBITED WITHOUT THE EXPRESSED WRITTEN CONSENT OF FABRICATED METALS LLC	TOLERANCES: UNLESS OTHERWISE SPECIFIED		DRAWN BY: P. DAUGHERTY
	FRACTIONAL	± 1/8"	APPROVED: PD
	2 PLACE DEC.	± .03	ECN:
	3 PLACE DEC.	± .005	SCALE: 1/4" = 1"
ANGULAR	± 1°	DATE: 6/18/2018	

<b>UTILITY METALS</b> (A DIVISION OF FABRICATED METALS LLC.)	
DESCRIPTION: 2" x 12" 3 @ 90° SPOKE BRACKET TO SLIP 2" TENON	

PART NO. SB-390-12-2	
DWG NO. G-8348-0	REV 0