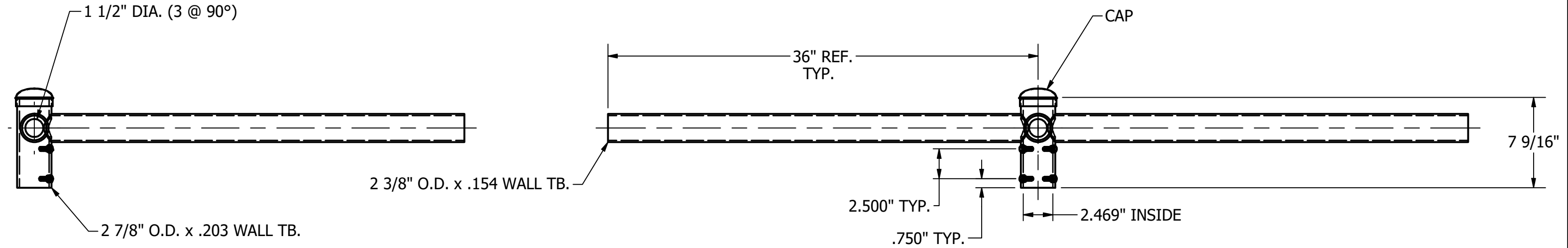


90° TYP.



TOTAL WT. = 35.393 lbmass

				THIS DOCUMENT CONTAINS PROPRIETARY INFORMATION. DUPLICATION OR DISCLOSURE IS PROHIBITED WITHOUT THE EXPRESSED WRITTEN CONSENT OF FABRICATED METALS LLC	TOLERANCES: UNLESS OTHERWISE SPECIFIED FRACTIONAL ±1/8" 2 PLACE DEC. ±.03 3 PLACE DEC. ±.005 ANGULAR ±1°		DRAWN BY: P. DAUGHERTY APPROVED: PD ECN: SCALE: 1/8" = 1" DATE: 6/19/2018	UTILITY METALS (A DIVISION OF FABRICATED METALS LLC.) DESCRIPTION: 2" x 36" 3 @ 90° SPOKE BRACKET FOR 2 3/8" TENON		PART NO. SB-390-36-2		
									DWG NO. G-8360-0		REV 0	
REV	DATE	BY	DESCRIPTION									