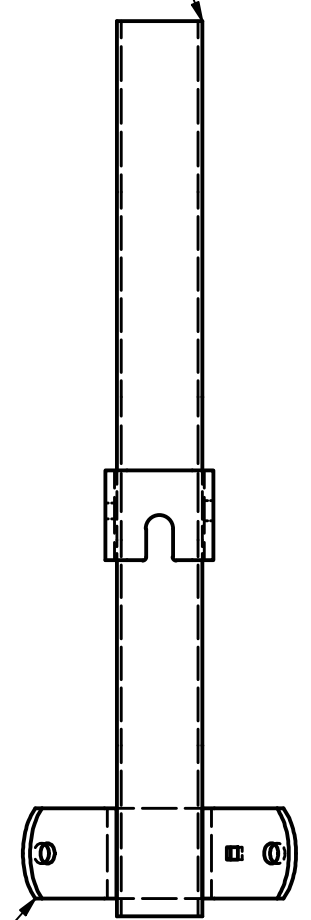
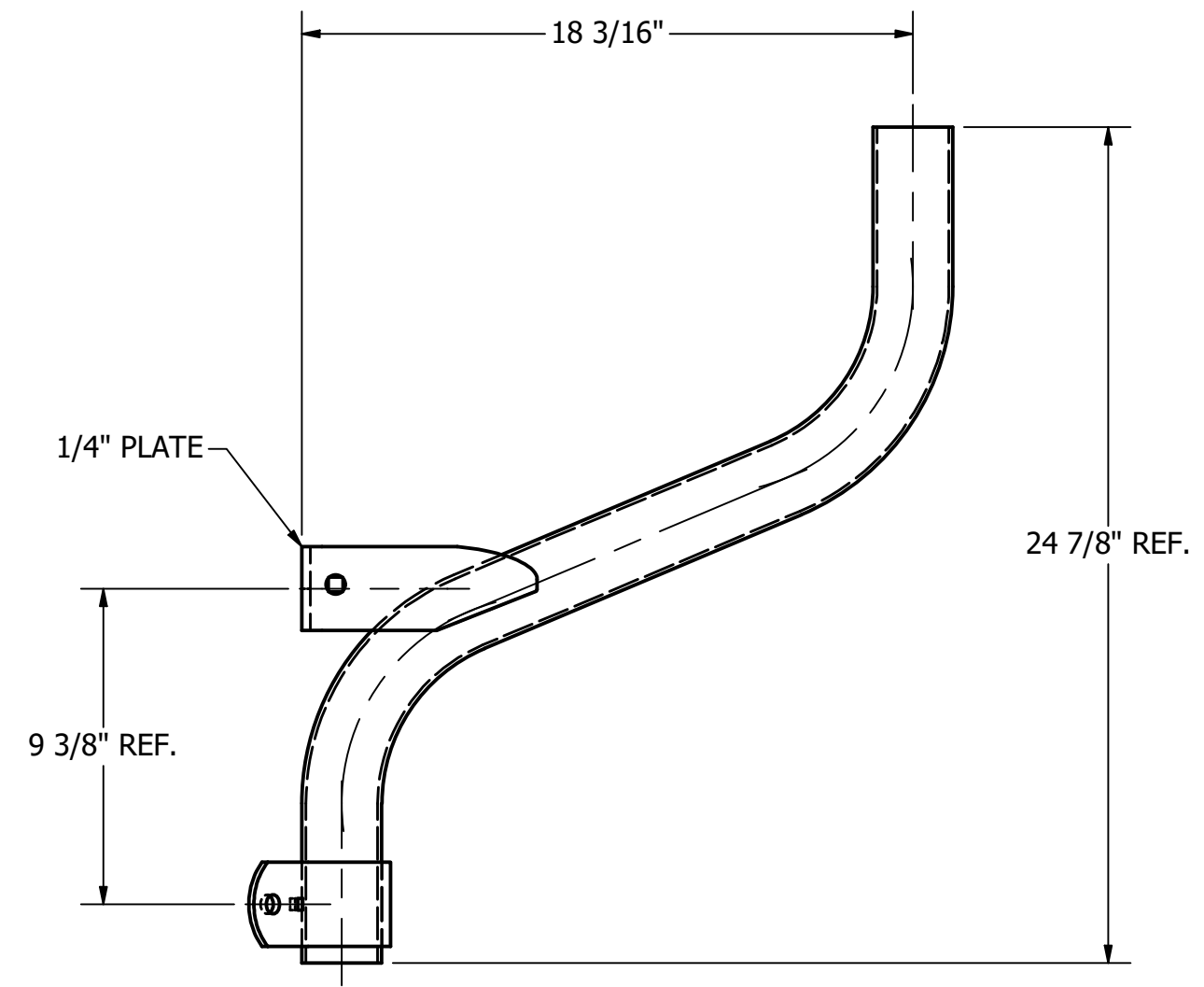
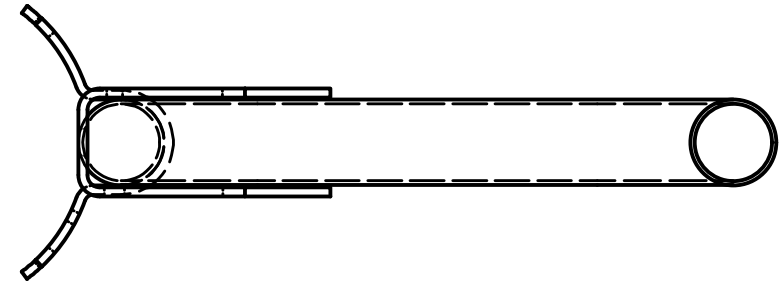


2 3/8" O.D. x .120 WALL TB.



1/4" PLATE



TOTAL WT. = 12.693 lbmass

REV	DATE	BY	DESCRIPTION
02	11-24-20	P.D.	RAD. WAS 8" , NEW DESIGN UPPER
01	2/5/20	DL	CHANGED RADIUS TO 5"

THIS DOCUMENT CONTAINS PROPRIETARY INFORMATION. DUPLICATION OR DISCLOSURE IS PROHIBITED WITHOUT THE EXPRESSED WRITTEN CONSENT OF FABRICATED METALS LLC

TOLERANCES: UNLESS OTHERWISE SPECIFIED  
 FRACTIONAL ±1/8"  
 2 PLACE DEC. ±.03  
 3 PLACE DEC. ±.005  
 ANGULAR ± 1°

DRAWN BY: P. DAUGHERTY  
 APPROVED: PD  
 ECN:  
 SCALE: 3/16" = 1"  
 DATE: 2/6/2019

UTILITY METALS  
 (A DIVISION OF FABRICATED METALS LLC.)  
 DESCRIPTION: 18" OFFSET SINGLE FLOOD-LIGHT BRACKET

PART NO. SF-18  
 BKT000045  
 DWG NO. G-8663-02  
 REV 02