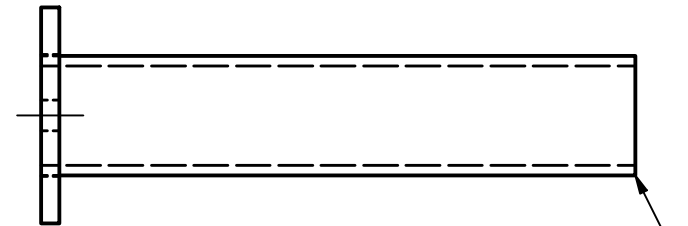
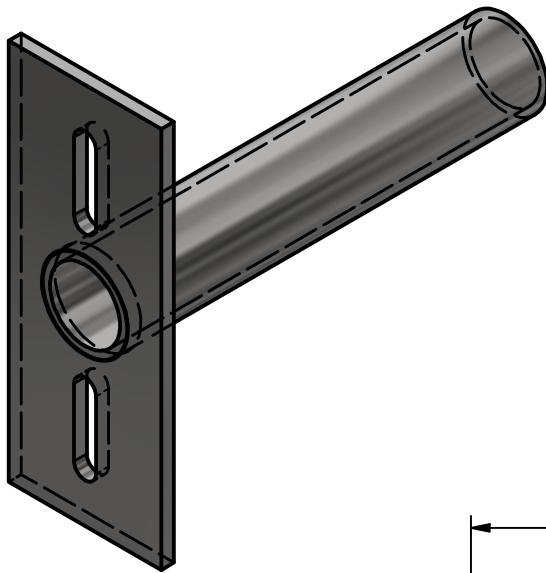
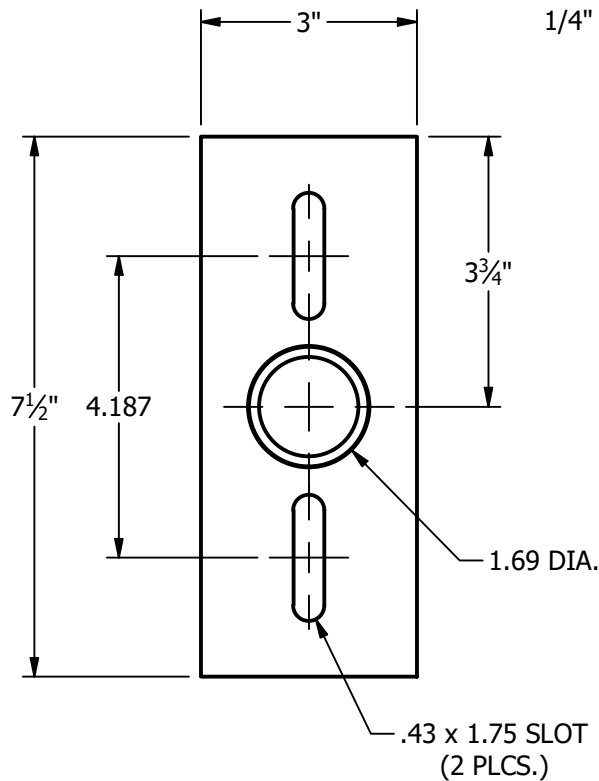


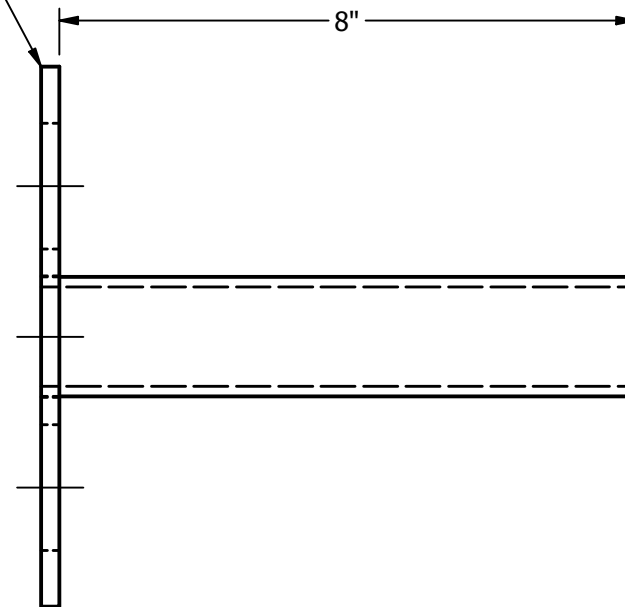
REV			
DATE			
BY			
DESCRIPTION			



1.66 O.D. x .140 WALL TB.



1/4" PLATE



TOTAL WT. = 2.899 lbmass

THIS DOCUMENT CONTAINS PROPRIETARY INFORMATION. DUPLICATION OR DISCLOSURE IS PROHIBITED WITHOUT THE EXPRESSED WRITTEN CONSENT OF FABRICATED METALS LLC	TOLERANCES: UNLESS OTHERWISE SPECIFIED		DRAWN BY: P. DAUGHERTY
	FRACTIONAL	±1/8"	APPROVED: PD
	2 PLACE DEC.	±.03	ECN:
	3 PLACE DEC.	±.005	SCALE: 3/8" = 1"
	ANGULAR	± 1°	DATE: 4/3/2018

UTILITY METALS
(A DIVISION OF FABRICATED METALS LLC.)

DESCRIPTION: **1 1/4" x 8" SIDE TENON**

PART NO.	ST1-8- ST1-8-Y - BKT000124 ST1-8-G - BKT000123
DWG NO.	F-8143-0
REV	0