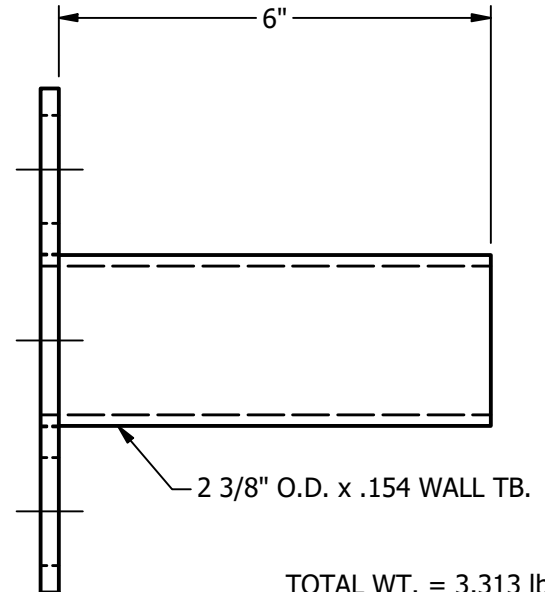
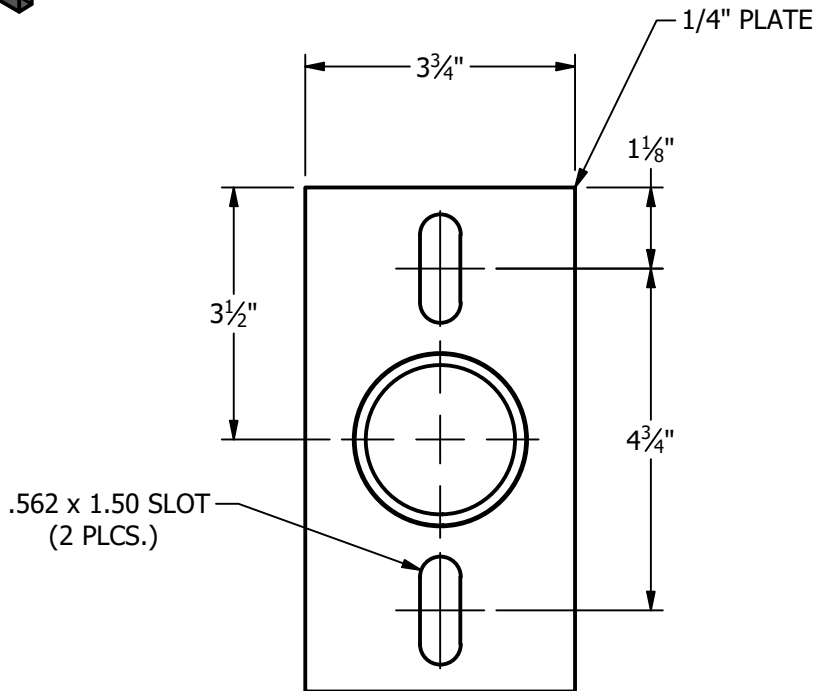
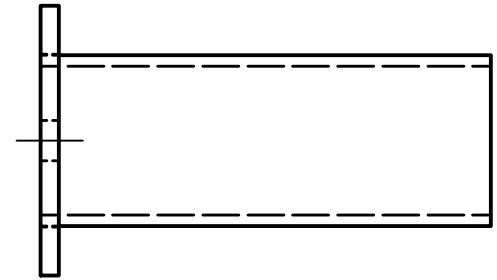
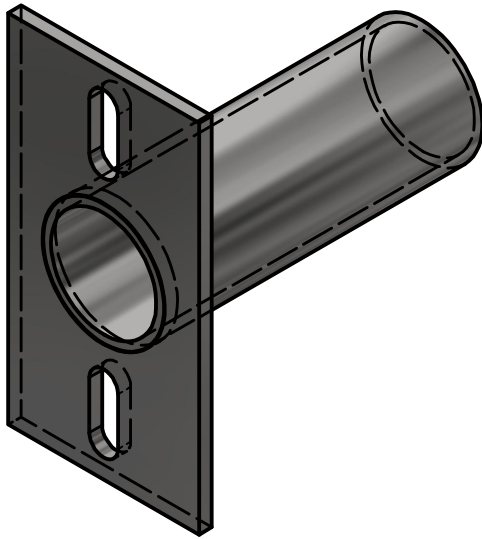


REV			
DATE			
BY			
DESCRIPTION			



TOTAL WT. = 3.313 lbmass

THIS DOCUMENT CONTAINS PROPRIETARY INFORMATION. DUPLICATION OR DISCLOSURE IS PROHIBITED WITHOUT THE EXPRESSED WRITTEN CONSENT OF FABRICATED METALS LLC	TOLERANCES: UNLESS OTHERWISE SPECIFIED		DRAWN BY: P. DAUGHERTY
	FRACTIONAL ±1/8"	2 PLACE DEC. ±.03	APPROVED: PD
	3 PLACE DEC. ±.005	ANGULAR ± 1°	ECN:
	SCALE: 3/8" = 1"		DATE: 3/15/2019

UTILITY METALS (A DIVISION OF FABRICATED METALS LLC.)	
DESCRIPTION: 2" x 6" SIDE TENON	

PART NO. ST2-6	
DWG NO. F-8750-0	REV 0