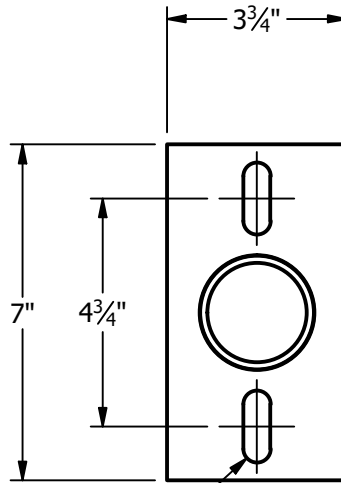
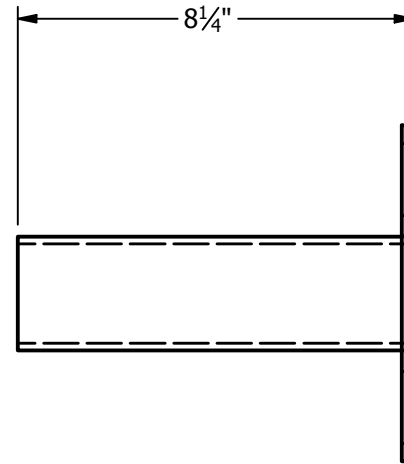


2 3/8" O.D. x .154 WALL TB.

1/4" PLATE



.562 x 1.50 SLOT
(2 PLCS.)



TOTAL WT. = 3.884 lbmass

REV			
DATE			
BY			
DESCRIPTION			

THIS DOCUMENT CONTAINS PROPRIETARY INFORMATION. DUPLICATION OR DISCLOSURE IS PROHIBITED WITHOUT THE EXPRESSED WRITTEN CONSENT OF FABRICATED METALS LLC	TOLERANCES: UNLESS OTHERWISE SPECIFIED		DRAWN BY: P. DAUGHERTY
	FRACTIONAL ±1/8"	2 PLACE DEC. ±.03	APPROVED: PD
	3 PLACE DEC. ±.005	ANGULAR ± 1°	ECN:
	SCALE: 1/4" = 1"		DATE: 9/28/2020

UTILITY METALS (A DIVISION OF FABRICATED METALS LLC.)	
DESCRIPTION:	
2" x 8" SIDE TENON	

PART NO.	
ST2-8	
DWG NO.	REV
F-9402-0	0