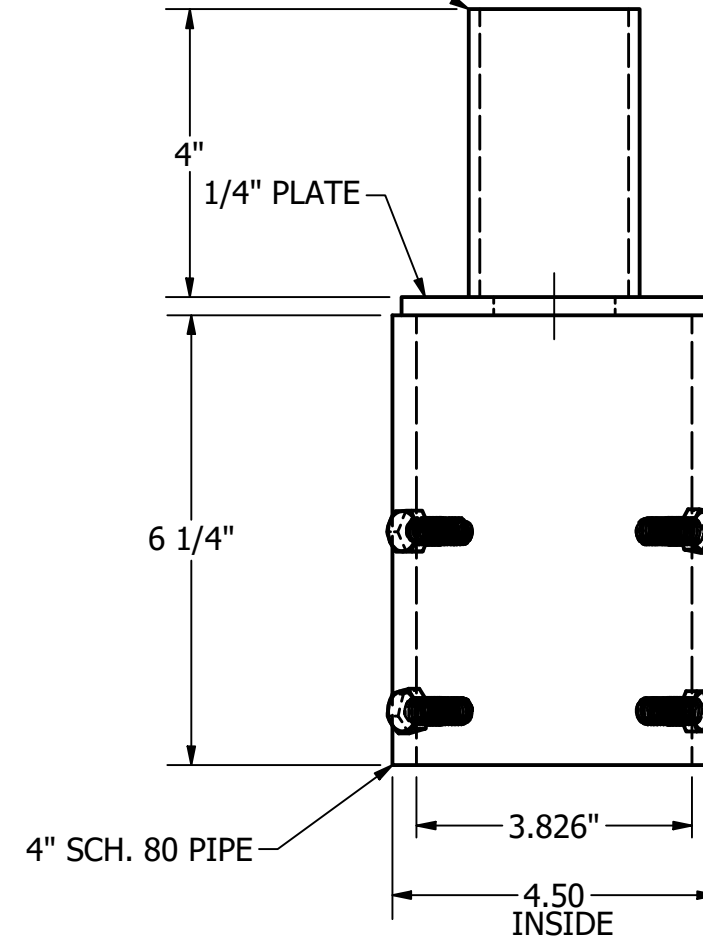
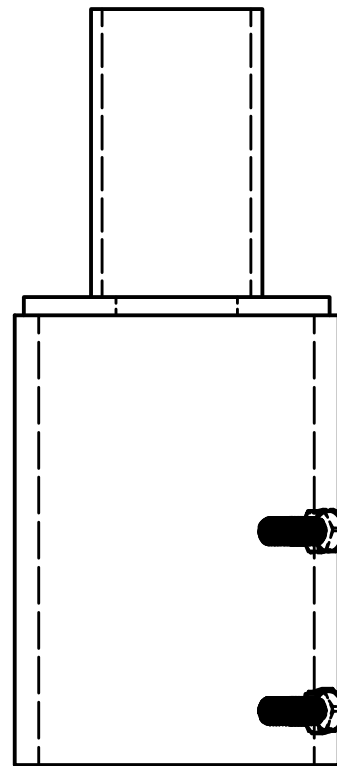


2 3/8" O.D. x .154 WALL TB.



TOTAL WT. = 10.007 lbmass

			THIS DOCUMENT CONTAINS PROPRIETARY INFORMATION. DUPLICATION OR DISCLOSURE IS PROHIBITED WITHOUT THE EXPRESSED WRITTEN CONSENT OF FABRICATED METALS LLC	<b>TOLERANCES: UNLESS OTHERWISE SPECIFIED</b> FRACTIONAL ±1/8" 2 PLACE DEC. ±.03 3 PLACE DEC. ±.005 ANGULAR ±1°	DRAWN BY: P. DAUGHERTY	<b>UTILITY METALS</b> (A DIVISION OF FABRICATED METALS LLC.)	PART NO. <b>TR-35-2</b> <b>BKT000104</b>			
					APPROVED: PD		DESCRIPTION: <b>3 1/2" TO 2" TENON REDUCER</b>	DWG NO. <b>G-8110-0</b>		REV
					ECN:			<b>0</b>		<b>0</b>
<b>REV</b>   <b>DATE</b>   <b>BY</b>   <b>DESCRIPTION</b>					SCALE: 3/8" = 1"			<b>0</b>		<b>0</b>
			DATE: 2/7/2018							