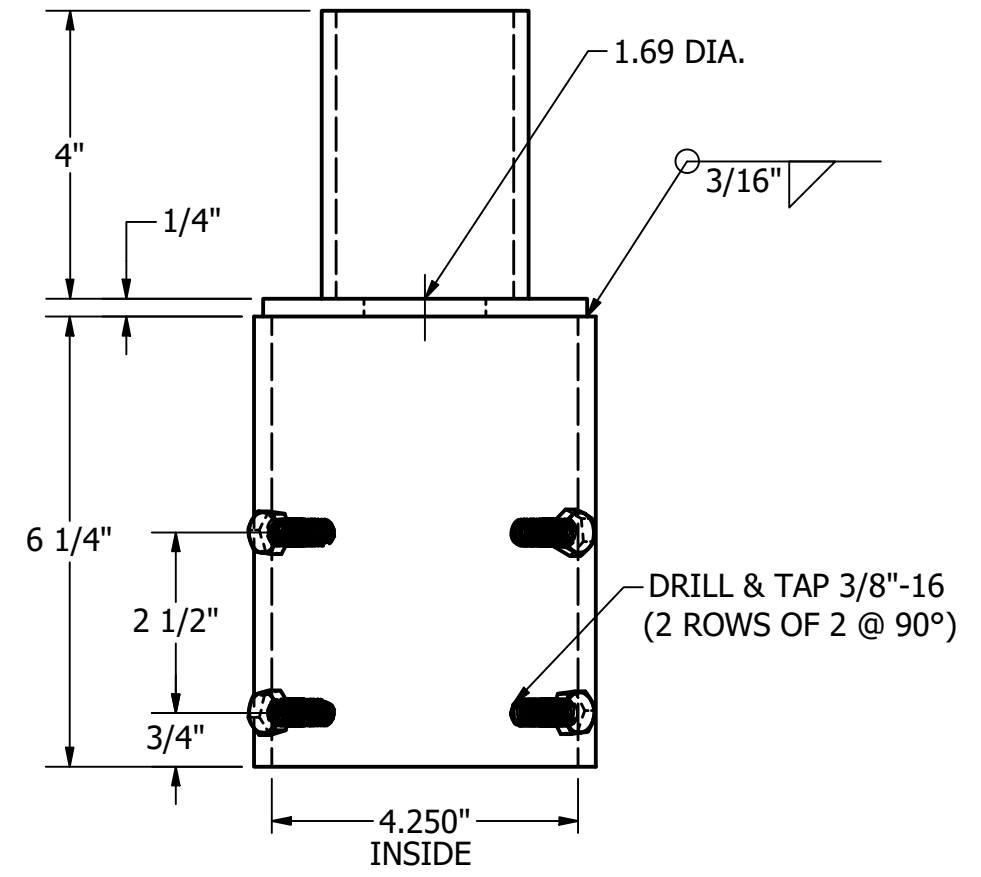


2 7/8" O.D. x .203 WALL TB.

1/4" PLATE

4 3/4" O.D. x 1/4" WALL TB.



DRILL & TAP 3/8"-16
(2 ROWS OF 2 @ 90°)

TOTAL WT. = 9.307 lbmass

			THIS DOCUMENT CONTAINS PROPRIETARY INFORMATION. DUPLICATION OR DISCLOSURE IS PROHIBITED WITHOUT THE EXPRESSED WRITTEN CONSENT OF FABRICATED METALS LLC	TOLERANCES: UNLESS OTHERWISE SPECIFIED FRACTIONAL ±1/8" 2 PLACE DEC. ±.03 3 PLACE DEC. ±.005 ANGULAR ±1°	DRAWN BY: P. DAUGHERTY	UTILITY METALS (A DIVISION OF FABRICATED METALS LLC.)	PART NO. TR-40-3		
					APPROVED: PD		DESCRIPTION: 4" TO 2 7/8" TENON REDUCER	DWG NO. G-9434-0	
					ECN:			REV 0	
REV 0	DATE 10/19/2020	BY P. DAUGHERTY			SCALE: 3/8" = 1"				
DESCRIPTION 4" TO 2 7/8" TENON REDUCER									