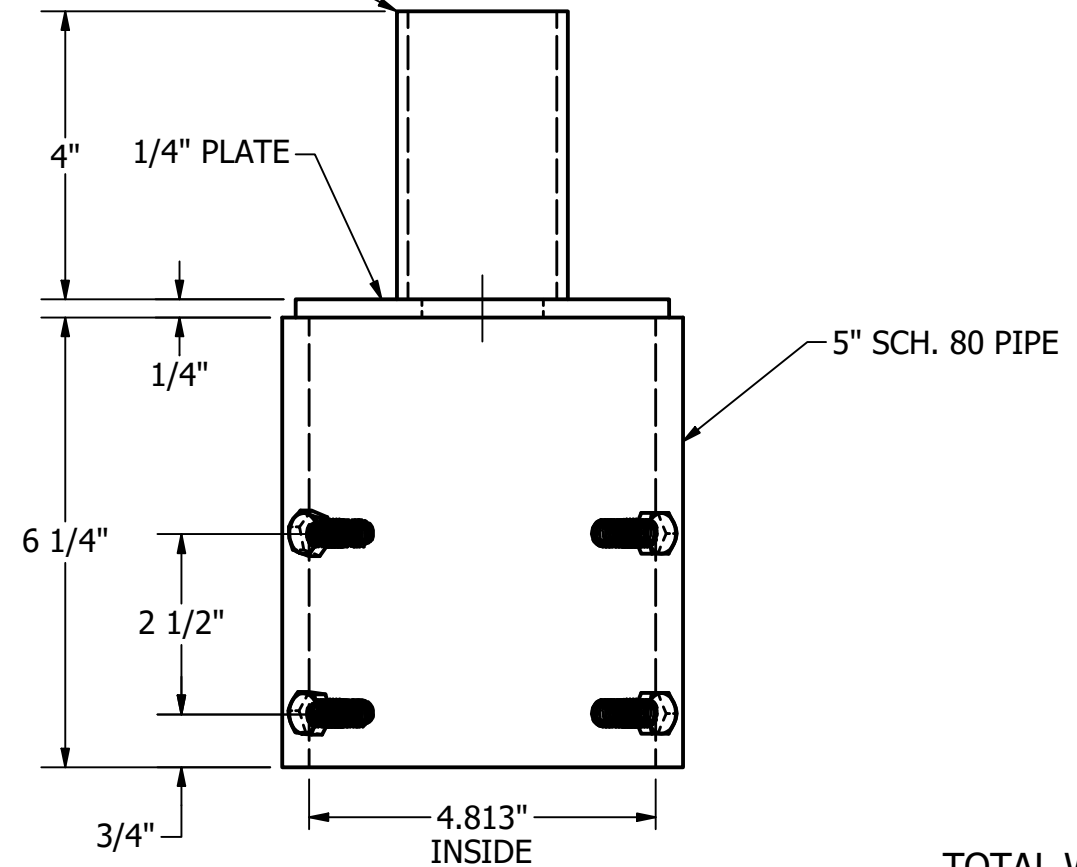


2 3/8" O.D. x .154 WALL TB.



TOTAL WT. = 13.520 lbmass

			THIS DOCUMENT CONTAINS PROPRIETARY INFORMATION. DUPLICATION OR DISCLOSURE IS PROHIBITED WITHOUT THE EXPRESSED WRITTEN CONSENT OF FABRICATED METALS LLC	TOLERANCES: UNLESS OTHERWISE SPECIFIED FRACTIONAL ±1/8" 2 PLACE DEC. ±.03 3 PLACE DEC. ±.005 ANGULAR ± 1°	DRAWN BY: P. DAUGHERTY	UTILITY METALS (A DIVISION OF FABRICATED METALS LLC.)	PART NO. TR-45-2 BKT000128			
					APPROVED: PD		DESCRIPTION: 4 1/2" TO 2 3/8" TENON REDUCER	DWG NO. G-8112-0		REV
					ECN:			0		0
REV DATE BY DESCRIPTION					SCALE: 3/8" = 1" DATE: 2/7/2018					