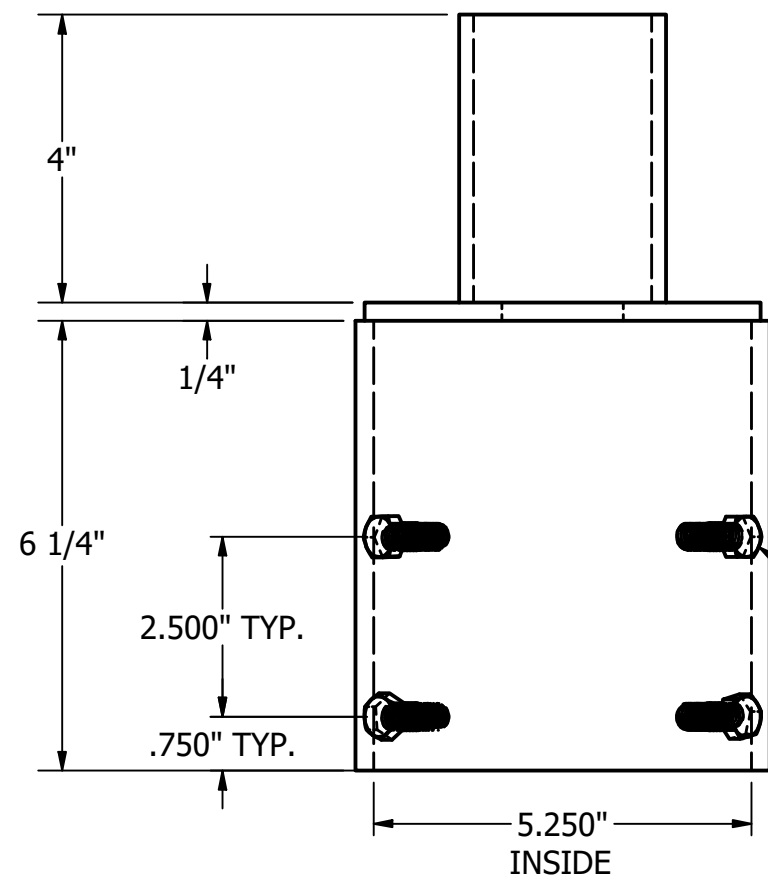


2 7/8" O.D. x .203 WALL TB.

1/4" PLATE

5 3/4" O.D. x 1/4" WALL TB.



DRILL & TAP 3/8"-16  
(2 ROWS OF 2 @ 90°)

TOTAL WT. = 11.256 lbmass

			THIS DOCUMENT CONTAINS PROPRIETARY INFORMATION. DUPLICATION OR DISCLOSURE IS PROHIBITED WITHOUT THE EXPRESSED WRITTEN CONSENT OF FABRICATED METALS LLC	<b>TOLERANCES:</b> UNLESS OTHERWISE SPECIFIED  FRACTIONAL ±1/8" 2 PLACE DEC. ±.03 3 PLACE DEC. ±.005 ANGULAR ± 1°	DRAWN BY: P. DAUGHERTY	<b>UTILITY METALS</b> (A DIVISION OF FABRICATED METALS LLC.)	PART NO. <b>TR-50-3</b>		
					APPROVED: PD		DESCRIPTION: <b>5" TO 2 7/8" TENON REDUCER</b>	DWG NO. <b>G-9435-0</b>	
					ECN:			REV <b>0</b>	
<b>REV</b>	<b>DATE</b>	<b>BY</b>			SCALE: <b>3/8" = 1"</b>				
			DATE: 10/19/2020						