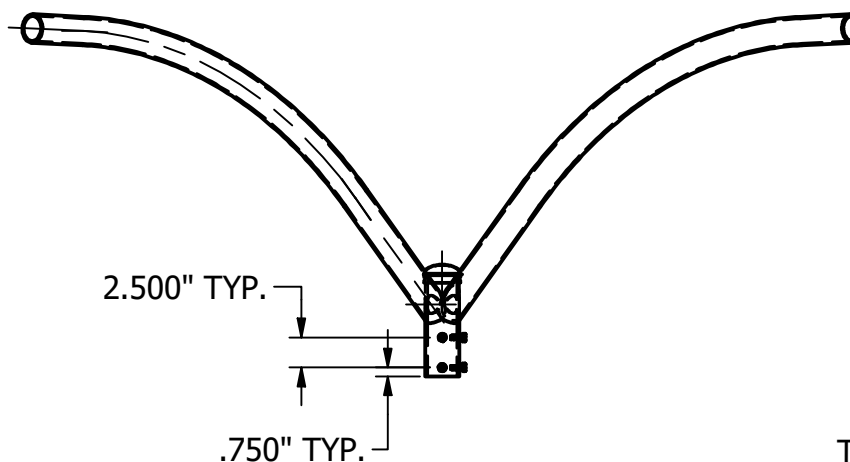
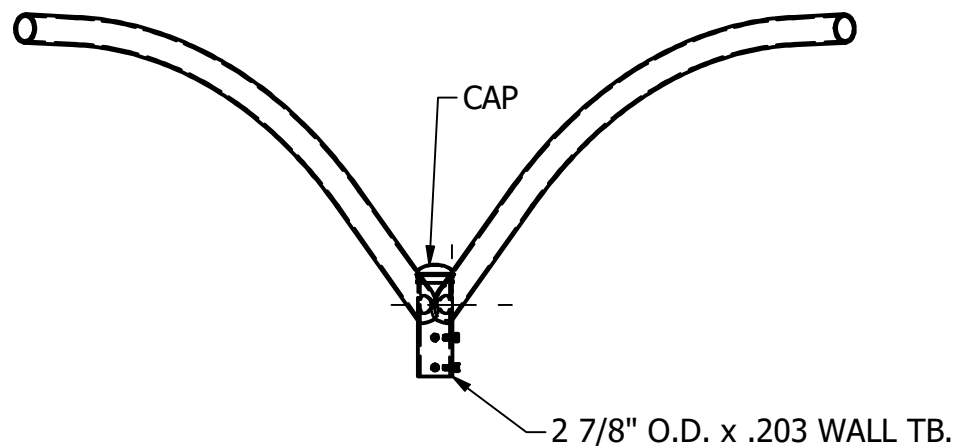


2 3/8" O.D. x .154 WALL TB.



TOTAL WT. = 70.421 lbmass

REV	DATE	BY	DESCRIPTION

THIS DOCUMENT CONTAINS PROPRIETARY INFORMATION. DUPLICATION OR DISCLOSURE IS PROHIBITED WITHOUT THE EXPRESSED WRITTEN CONSENT OF FABRICATED METALS LLC

TOLERANCES: UNLESS OTHERWISE SPECIFIED

FRACTIONAL	±1/8"
2 PLACE DEC.	±.03
3 PLACE DEC.	±.005
ANGULAR	± 1°

DRAWN BY: P. DAUGHERTY
 APPROVED: PD
 ECN:
 SCALE: 3/32" = 1"
 DATE: 7/22/2020

UTILITY METALS
 (A DIVISION OF FABRICATED METALS LLC.)

DESCRIPTION: 2" x 4' 4 @ 90° UPSWEEP BRACKET TO SLIPFIT 2 3/8" TENON

PART NO.	UB4-4-2
DWG NO.	G-9294-0
REV	0