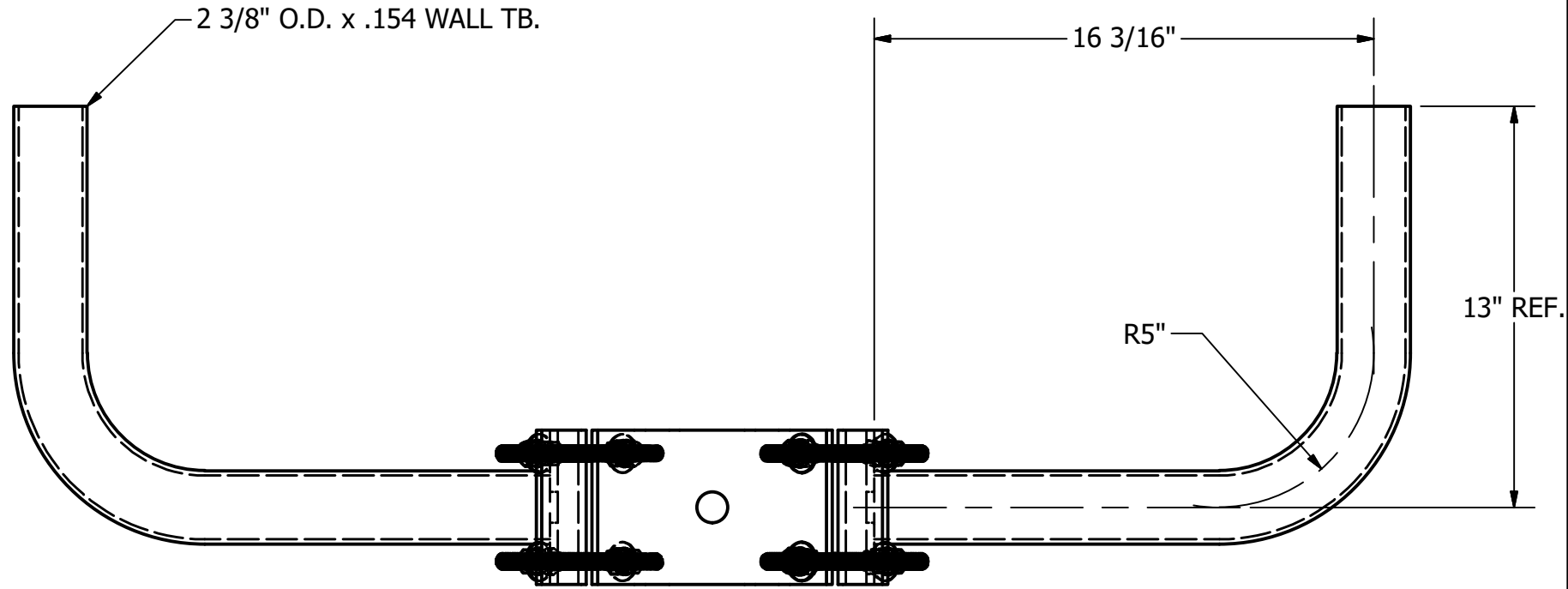
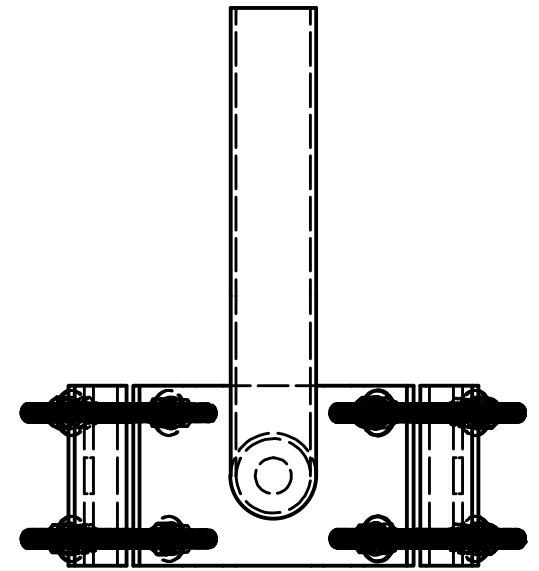


1/2"-13 x 5" TAP BOLT W/HEX NUT
FLAT WASHER & LOCK WASHER

1/4" PLATE



FINISH: RED PRIMER

TOTAL WEIGHT = 32.104 lbmass

REV	DATE	BY	DESCRIPTION

THIS DOCUMENT CONTAINS PROPRIETARY INFORMATION. DUPLICATION OR DISCLOSURE IS PROHIBITED WITHOUT THE EXPRESSED WRITTEN CONSENT OF FABRICATED METALS LLC	TOLERANCES: UNLESS OTHERWISE SPECIFIED	DRAWN BY: P. DAUGHERTY
	FRACTIONAL ±1/8" 2 PLACE DEC. ±.03 3 PLACE DEC. ±.005 ANGULAR ±1°	APPROVED: PD
		ECN:
		SCALE: 3/16" = 1" DATE: 2/25/2019

UTILITY METALS (A DIVISION OF FABRICATED METALS LLC.)
DESCRIPTION: 2 ARM WRAP BRACKET FOR 7" - 10" POLE

PART NO. W2-P-7-10 BKT000067	
DWG NO. G-8689-0	REV 0