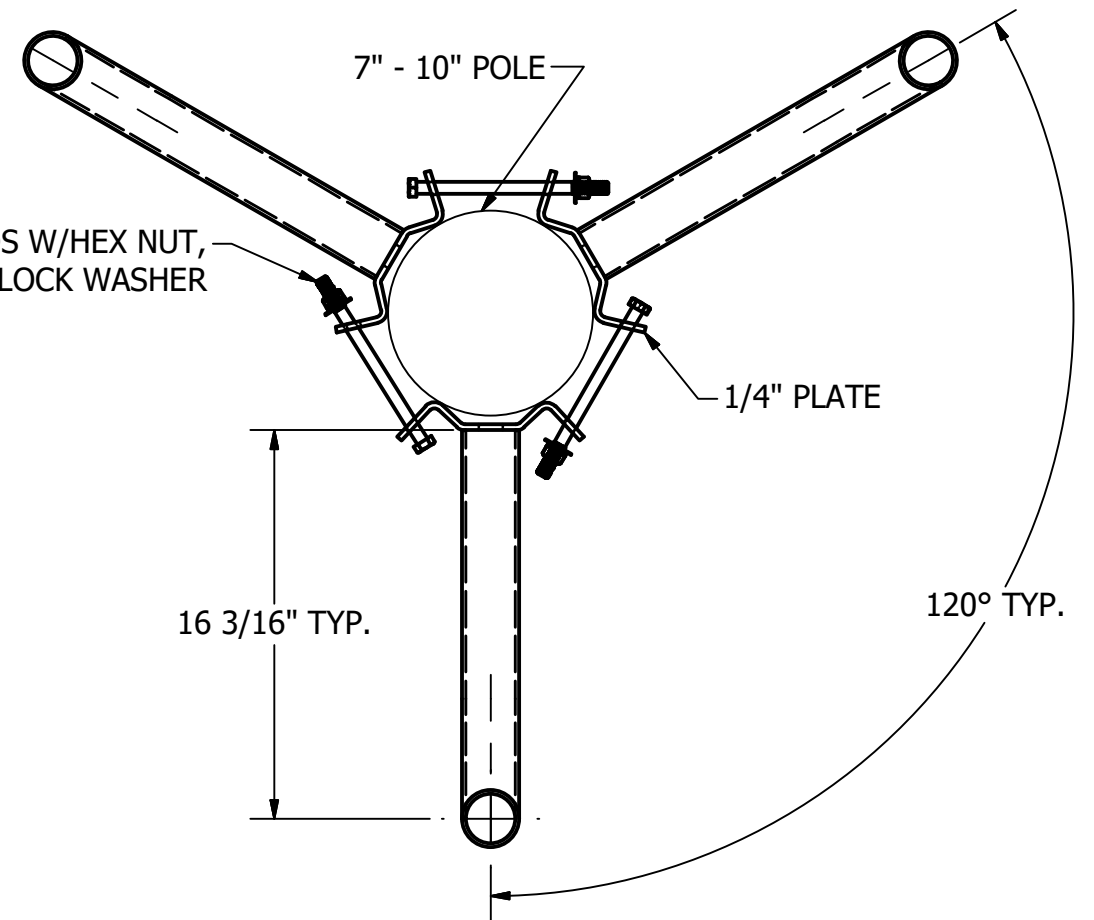
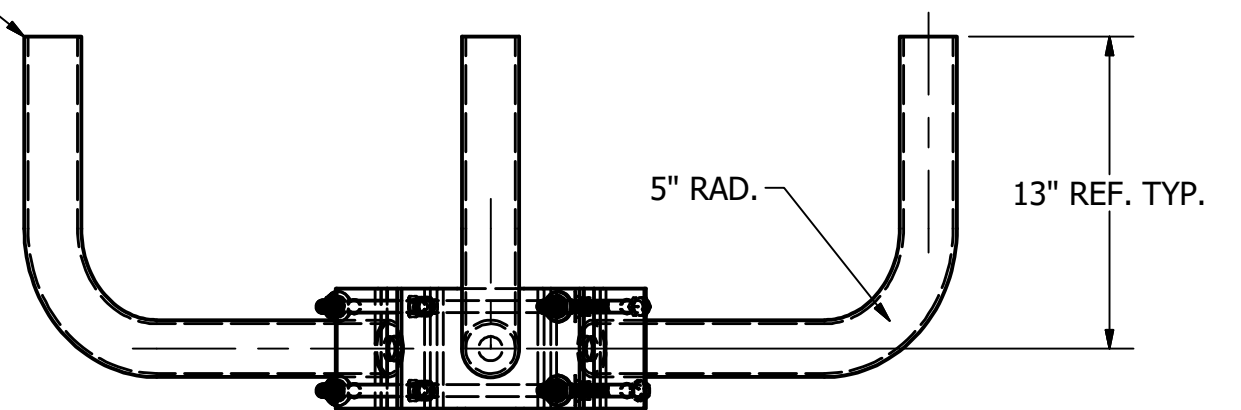


1/2"-13 x 8" HHCS W/6" THREADS W/HEX NUT,
FALT WASHER & LOCK WASHER



2 3/8" O.D. x .154 WALL TB.



FINISH: RED PRINMER
TOTAL WT. = 37.628 lbmass

REV	DATE	BY	DESCRIPTION

THIS DOCUMENT CONTAINS PROPRIETARY INFORMATION. DUPLICATION OR DISCLOSURE IS PROHIBITED WITHOUT THE EXPRESSED WRITTEN CONSENT OF FABRICATED METALS LLC

TOLERANCES:
UNLESS OTHERWISE SPECIFIED
FRACTIONAL ±1/8"
2 PLACE DEC. ±.03
3 PLACE DEC. ±.005
ANGULAR ±1°

DRAWN BY: P. DAUGHERTY
APPROVED: PD
ECN:
SCALE: 1/8" = 1"
DATE: 2/26/2019

UTILITY METALS
(A DIVISION OF FABRICATED METALS LLC.)
DESCRIPTION: 3 ARM @ 120° WRAP BRACKET FOR 7" - 10" POLE

PART NO. W3-P-7-10
BKT000073
DWG NO. G-8695-0
REV 0