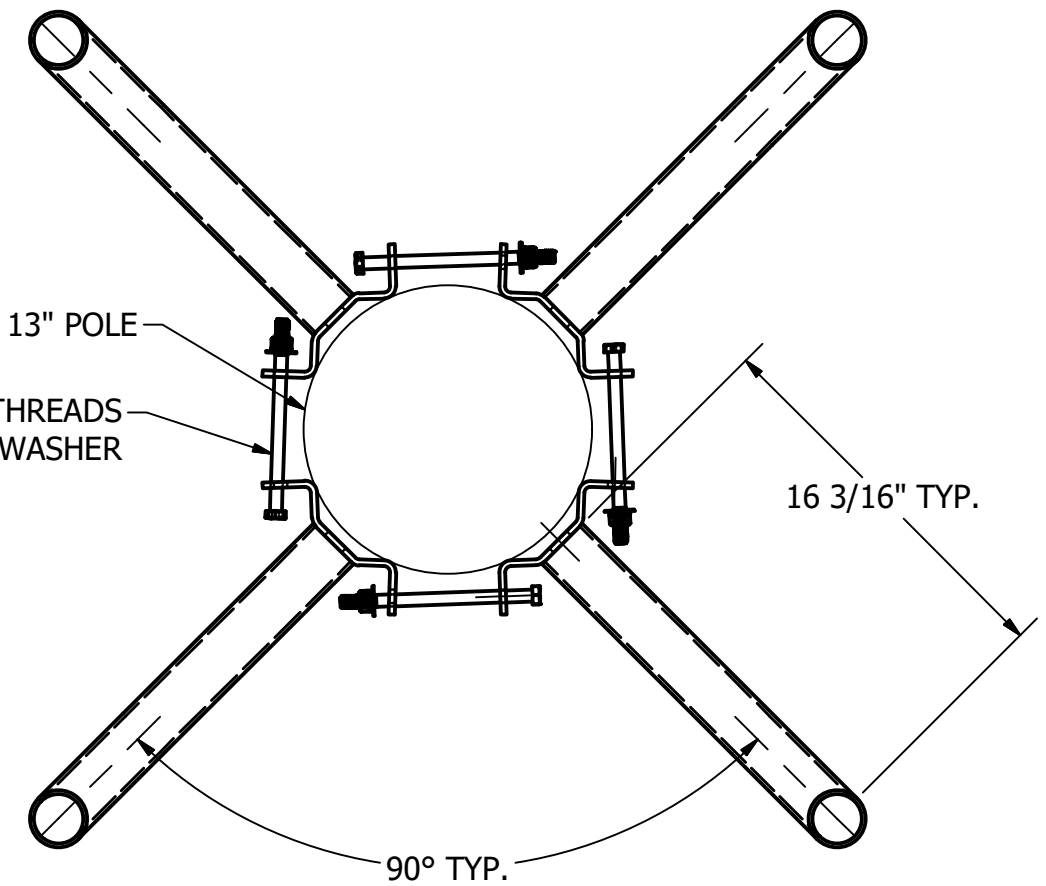
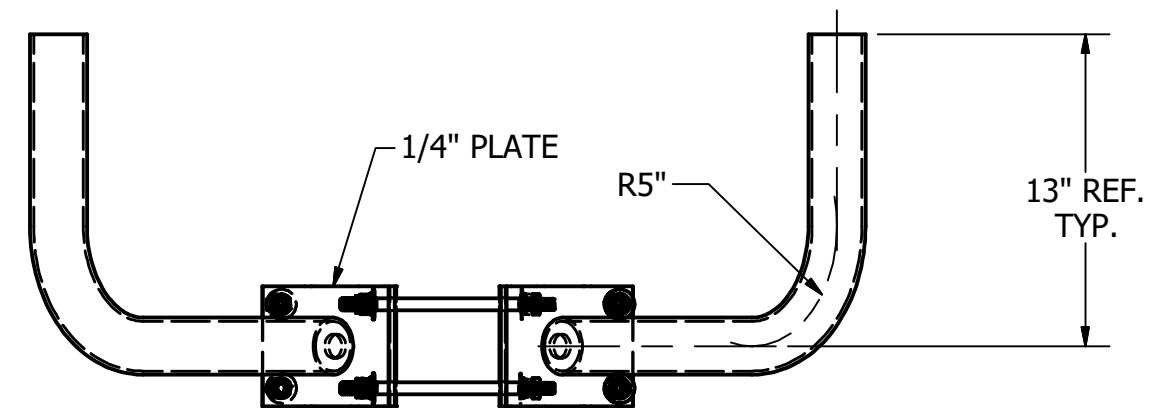
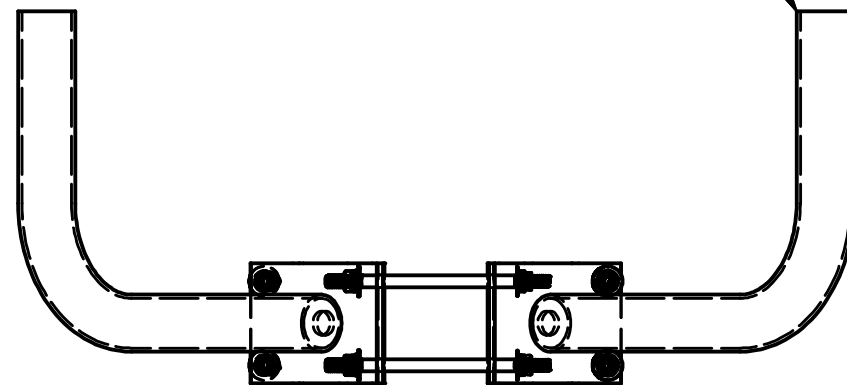


10" - 13" POLE
 1/2"-13 x 8" HHCS W/6" THREADS
 HEX NUT, FLATWASHER & LOCK WASHER



2 3/8" O.D. x .154 WALL TB.



FINISH: RED PRIMER
 TOTAL WT. = 50.170 lbmass

REV	DATE	BY	DESCRIPTION

THIS DOCUMENT CONTAINS PROPRIETARY INFORMATION. DUPLICATION OR DISCLOSURE IS PROHIBITED WITHOUT THE EXPRESSED WRITTEN CONSENT OF FABRICATED METALS LLC	TOLERANCES: UNLESS OTHERWISE SPECIFIED	DRAWN BY: P. DAUGHERTY
	FRACTIONAL ±1/8" 2 PLACE DEC. ±.03 3 PLACE DEC. ±.005 ANGULAR ±1°	APPROVED: PD
		ECN:
		SCALE: 1/8" = 1" DATE: 2/27/2019

UTILITY METALS
 (A DIVISION OF FABRICATED METALS LLC.)
 DESCRIPTION: 4 ARM @ 90° WRAP BRACKET FOR 10" - 13" POLE

PART NO. W4-P-10-13 BKT000078	REV 0
DWG NO. G-8705-0	