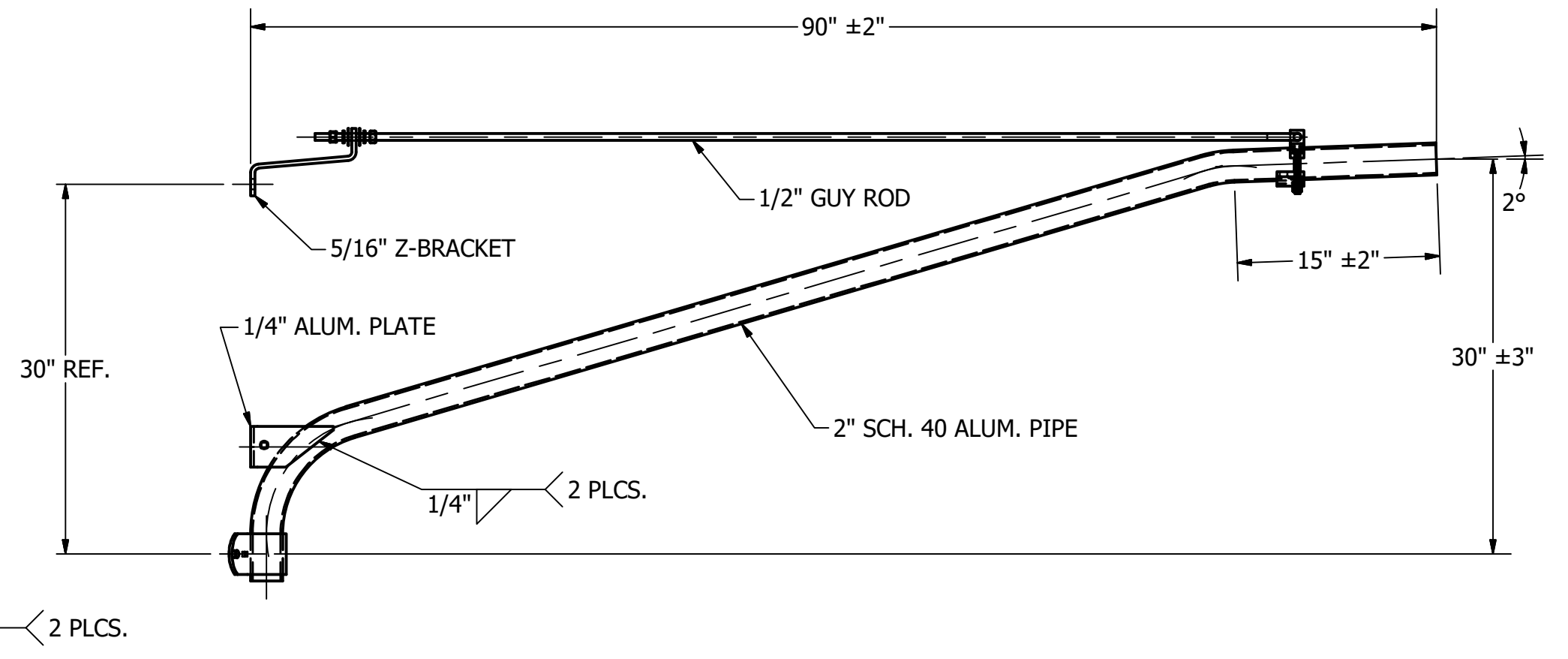
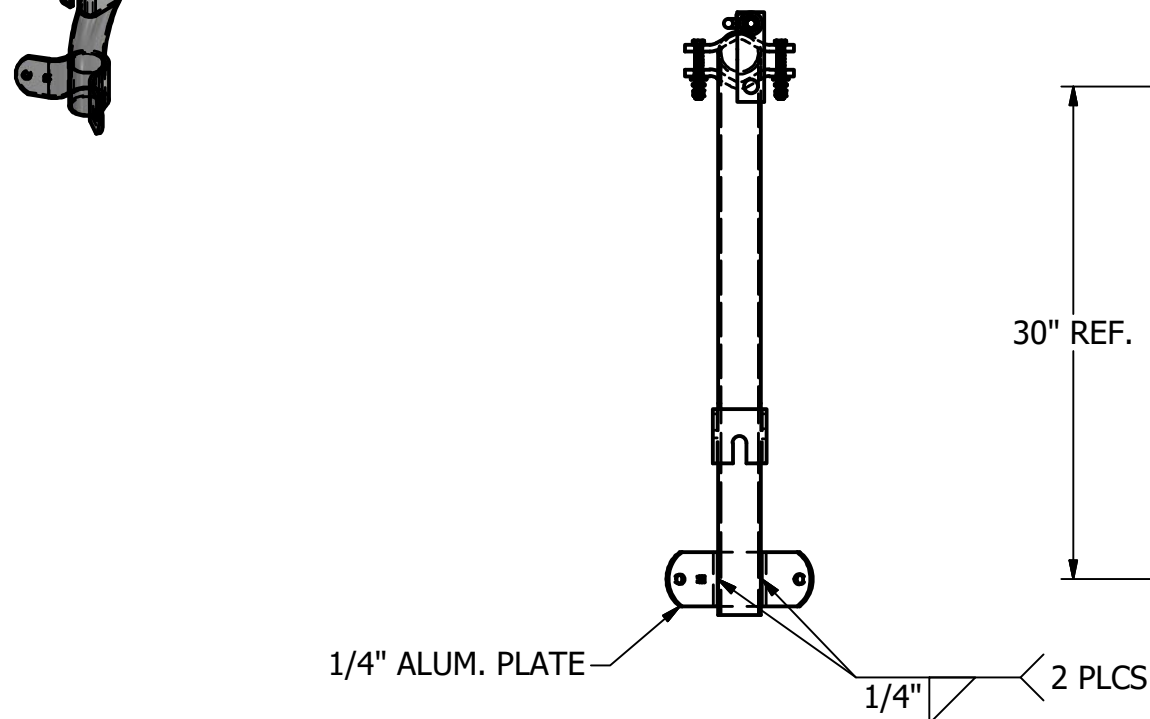


GUY ROD CLAMP



TOTAL WT. = 19.935 lbmass

REV	DATE	BY	DESCRIPTION

THIS DOCUMENT CONTAINS PROPRIETARY INFORMATION. DUPLICATION OR DISCLOSURE IS PROHIBITED WITHOUT THE EXPRESSED WRITTEN CONSENT OF FABRICATED METALS LLC

TOLERANCES: UNLESS OTHERWISE SPECIFIED
 FRACTIONAL ±1/8"
 2 PLACE DEC. ±.03
 3 PLACE DEC. ±.005
 ANGULAR ±1°

DRAWN BY: P. DAUGHERTY
 APPROVED: PD
 ECN:
 SCALE: 3/32" = 1"
 DATE: 3/27/2019

UTILITY METALS
 (A DIVISION OF FABRICATED METALS LLC.)

DESCRIPTION: **2" x 8' ALUMINUM SINGLE GUY ROD BRACKET**

PART NO. **S200A080**
GUY000028

DWG NO. **G-8763-0** REV **0**