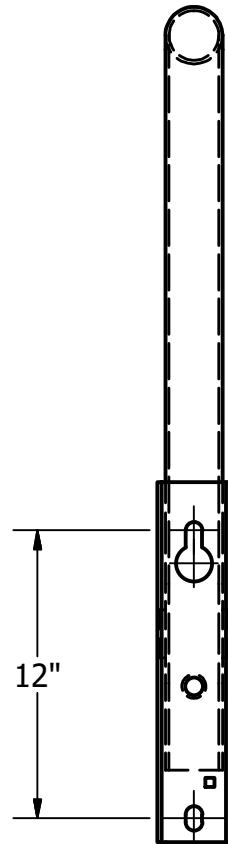


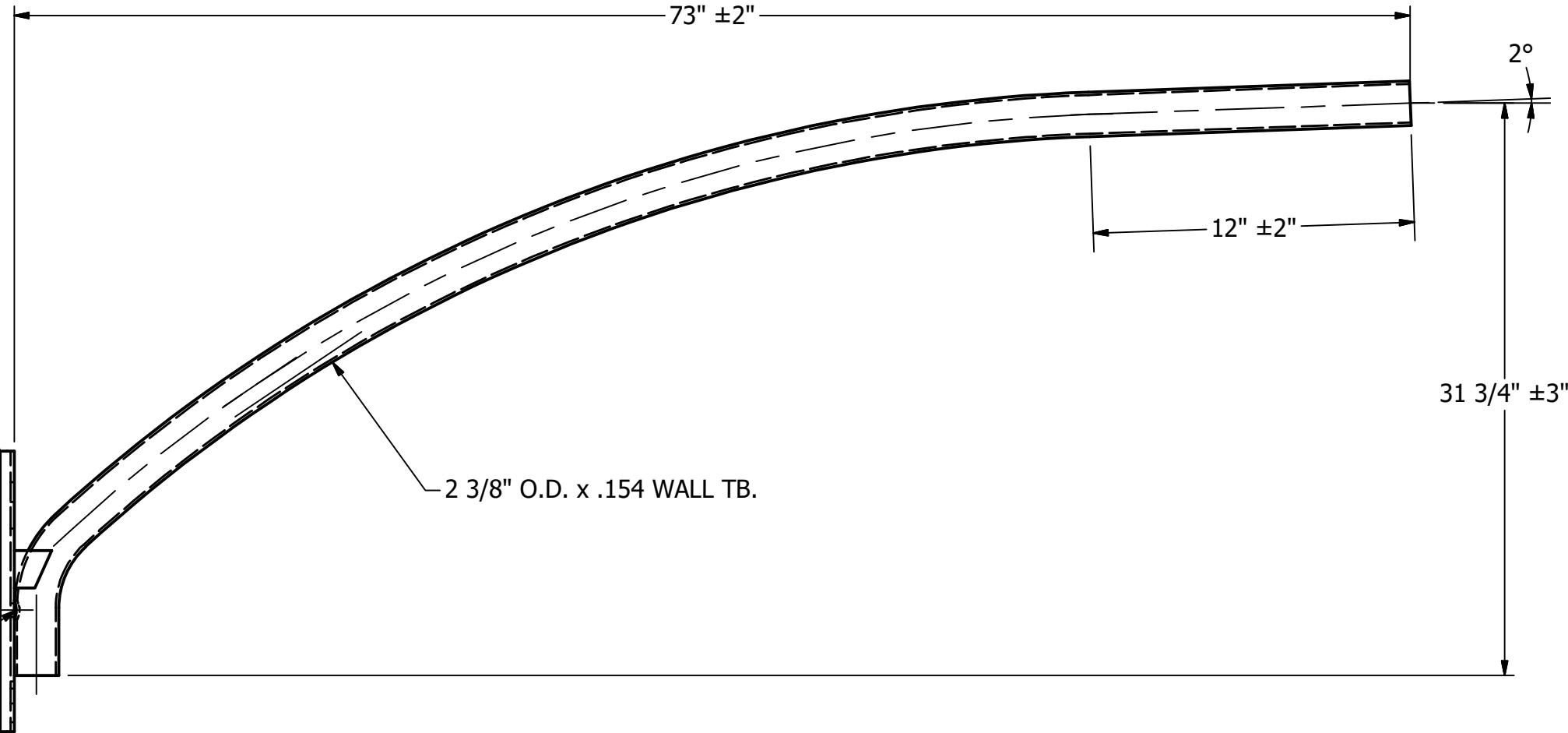
1/4" PLATE



12"

1" DIA. IN BACK OF TUBE

3/16" PLATE



73" ±2"

12" ±2"

2°

31 3/4" ±3"

2 3/8" O.D. x .154 WALL TB.

TOTAL WT. = 29.456  
lbmass

REV	DATE	BY	DESCRIPTION

THIS DOCUMENT CONTAINS PROPRIETARY INFORMATION. DUPLICATION OR DISCLOSURE IS PROHIBITED WITHOUT THE EXPRESSED WRITTEN CONSENT OF FABRICATED METALS LLC

TOLERANCES: UNLESS OTHERWISE SPECIFIED

FRACTIONAL ±1/8"  
2 PLACE DEC. ±.03  
3 PLACE DEC. ±.005  
ANGULAR ±1°

DRAWN BY: P. DAUGHERTY  
APPROVED: PD  
ECN:  
SCALE: 1/8" = 1"  
DATE: 8/18/2020

UTILITY METALS  
(A DIVISION OF FABRICATED METALS LLC.)  
DESCRIPTION: 2" x 6' UPSWEEP BRACKET W/UNIVERSAL BASE

PART NO. U200S060B  
DWG NO. G-9320-0  
REV 0