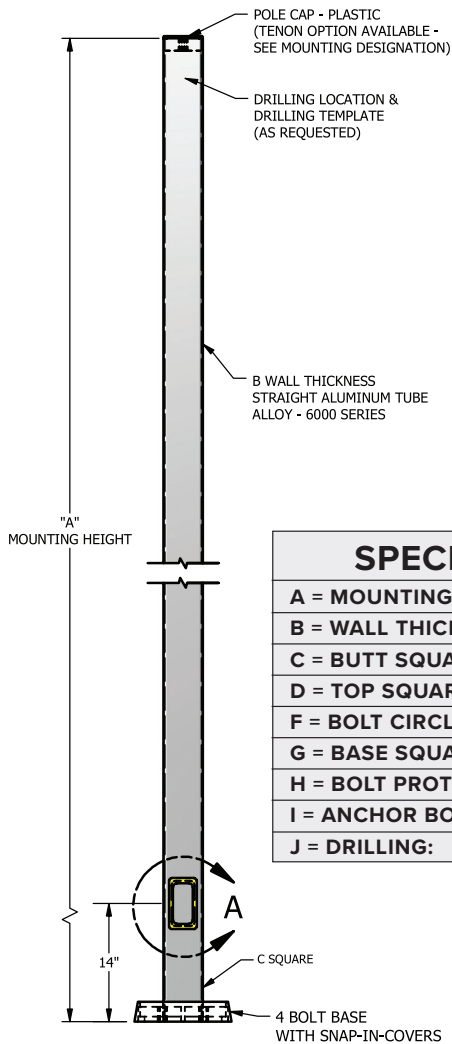
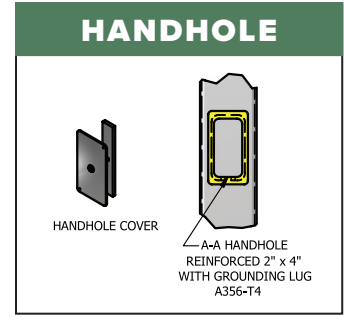
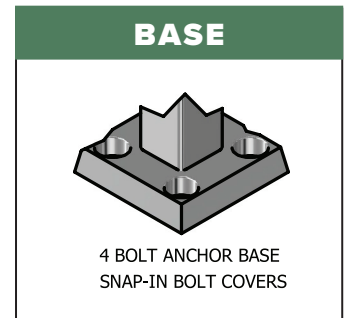
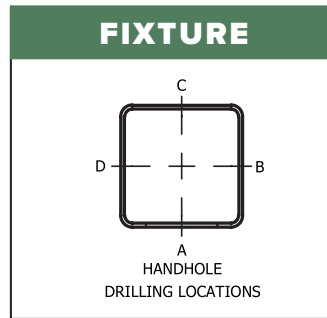
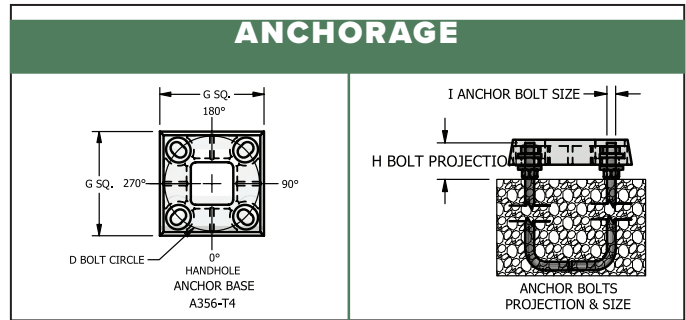


JOB NAME			PART NO.		
DESCRIPTION:			DRAWING NO.		REV
DRAWN BY:	APPROVED:	ECN:	SCALE:	DATE:	



SPECIFICATIONS
A = MOUNTING HEIGHT:
B = WALL THICKNESS: .188
C = BUTT SQUARE: 5"
D = TOP SQUARE: 5"
F = BOLT CIRCLE RANGE: 10.5" - 11.5"
G = BASE SQUARE: 11.25"
H = BOLT PROTECTION: 3 1/4"
I = ANCHOR BOLT SIZE: 3/4" X 20" X 3"
J = DRILLING:



2013 AASHTO MAXIMUM EPA RATINGS WITH 3 SEC. WIND GUST
ALUMINUM SQUARE STRAIGHT POLE SSA-5.0-0.188 SERIES

PART NUMBER	MAX WT LBS	90 MPH SQ FT	100 MPH SQ FT	110 MPH SQ FT	120 MPH SQ FT	130 MPH SQ FT	140 MPH SQ FT	150 MPH SQ FT
SSA 5 188 8	350	48.80	42.00	33.80	29.00	24.20	20.60	17.80
SSA 5 188 10	260	40.80	32.50	26.80	22.20	18.40	15.60	13.40
SSA 5 188 12	260	33.80	26.90	24.40	17.70	14.60	12.20	10.20
SSA 5 188 14	200	27.90	21.80	17.60	14.10	11.50	9.40	7.80
SSA 5 188 16	200	23.20	18.00	14.20	11.40	9.10	7.20	5.80
SSA 5 188 18	150	19.40	14.70	11.50	8.90	6.90	5.30	4.10
SSA 5 188 20	260	16.00	12.10	9.10	6.90	5.10	3.80	2.70
SSA 5 188 24	150	11.40	8.10	5.70	3.90	2.50	1.30	0.40
SSA 5 188 25	150	8.00	5.50	3.50	1.90	0.90	NA	NA