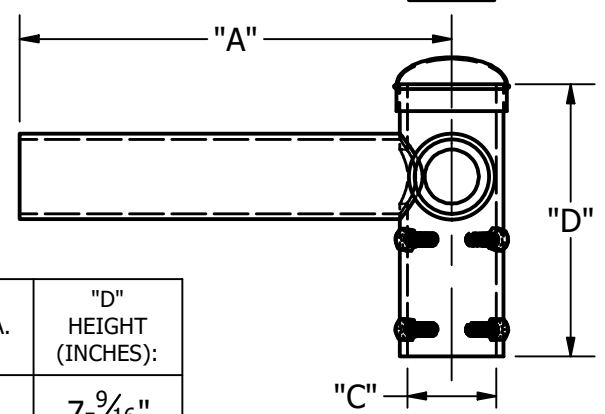
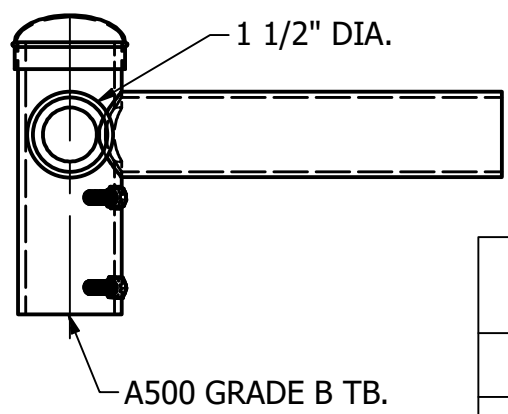
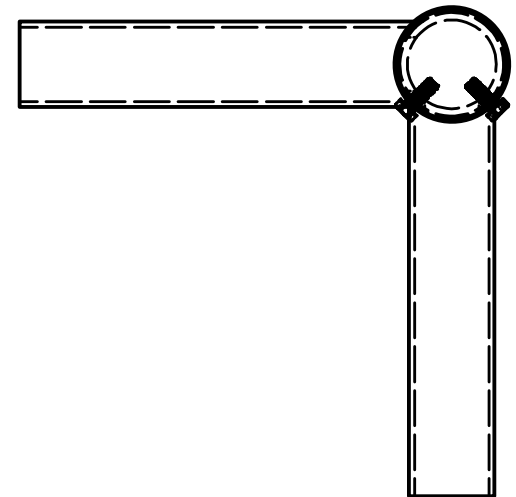
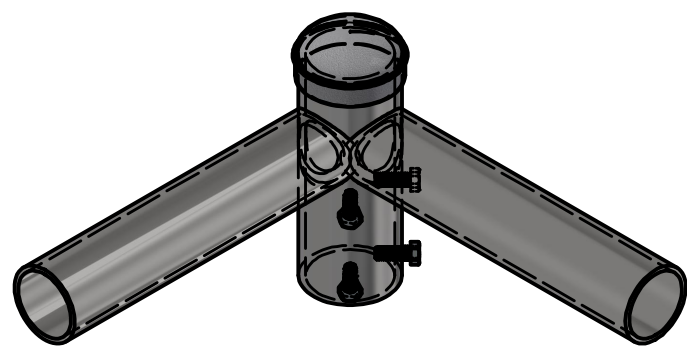


JOB NAME:		PART NO. SB-290-__-__	
DESCRIPTION: 2" 2 @ 90° SPOKE BRACKET FOR TENON		DRAWING NO.	REV 0
DRAWN BY: R.R.	APPROVED: P. A. D.	ECN:	SCALE: 3/16" = 1" DATE: 10-28-24



DESIGNED FOR TENON SIZE (INCHES):	"C" INSIDE DIA. (INCHES):	"D" HEIGHT (INCHES):
2-3/8"	2-15/32"	7-9/16"
2-7/8"	3-1/16"	8-9/16"
4"	4 1/4"	9"

*Data usable on pole up to 50 ft.

"A" ARM LENGTH (INCHES):	BRACKET EPA (FT^2):	TOTAL WEIGHT (lbs.):	BRACKET LOADING DATA:					
			100 MPH		120 MPH		150 MPH	
			MAX FIXTURE WEIGHT (lbs.):	MAX EPA (FT^2) PER FIXTURE:	MAX FIXTURE WEIGHT (lbs.):	MAX EPA (FT^2) PER FIXTURE:	MAX FIXTURE WEIGHT (lbs.):	MAX EPA (FT^2) PER FIXTURE:
8	0.3	11	85	8	85	7.8	85	5.1
12	0.4	11	85	8	85	7.8	85	5.1
15	0.4	13	85	8	85	7.8	85	5.1
24	0.6	18	85	8	85	7.6	85	4.9
30	0.7	22	85	7	45	5.4	45	3.5
36	0.8	26	85	5.3	45	3.7	45	2.4