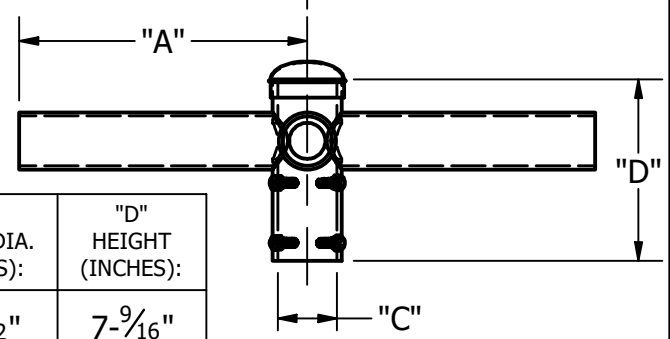
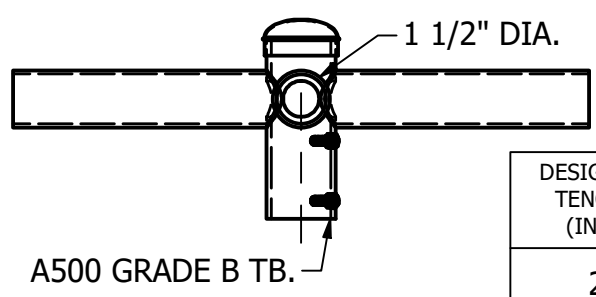
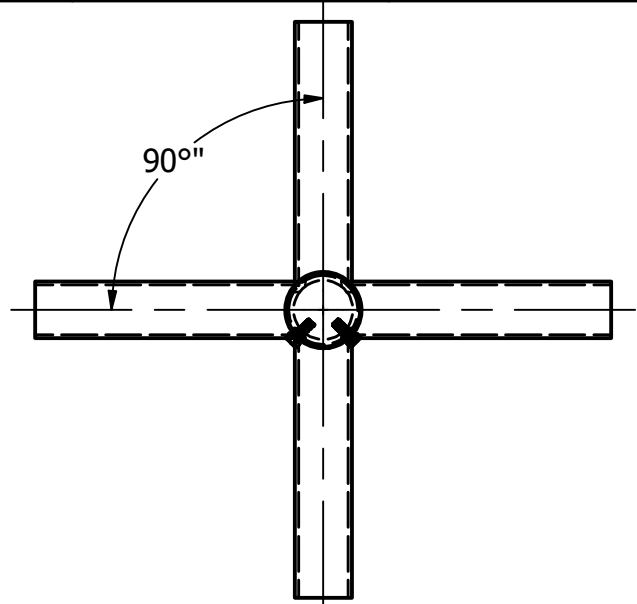
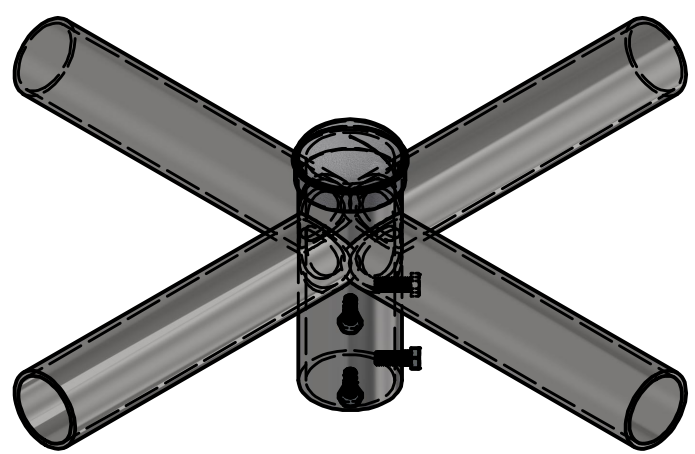


JOB NAME:		PART NO. SB-490-__-__	
DESCRIPTION: 2" 4 @ 90° SPOKE BRACKET FOR TENON		DRAWING NO.	REV 0
DRAWN BY: R.R.	APPROVED: P. A. D.	ECN:	SCALE: 1/8" = 1"      DATE: 10-28-24



DESIGNED FOR TENON SIZE (INCHES):	"C" INSIDE DIA. (INCHES):	"D" HEIGHT (INCHES):
2-3/8"	2-15/32"	7-9/16"
2-7/8"	3-1/16"	8-9/16"
4"	4 1/4"	9"

\*Data usable on pole up to 50 ft.

"A" ARM LENGTH (INCHES):	BRACKET EPA (FT^2):	TOTAL WEIGHT (lbs.):	BRACKET LOADING DATA:					
			100 MPH		120 MPH		150 MPH	
			MAX FIXTURE WEIGHT (lbs.):	MAX EPA (FT^2) PER FIXTURE:	MAX FIXTURE WEIGHT (lbs.):	MAX EPA (FT^2) PER FIXTURE:	MAX FIXTURE WEIGHT (lbs.):	MAX EPA (FT^2) PER FIXTURE:
8	0.6	13	85	8	85	7.8	85	5.1
12	0.7	17	85	8	85	7.8	85	5.1
15	0.93	21	85	8	85	7.8	85	5.1
24	1.4	32	85	8	85	7.6	85	4.9
30	1.6	39	85	7	45	5.4	45	3.5
36	2	47	85	5.3	45	3.7	45	2.4