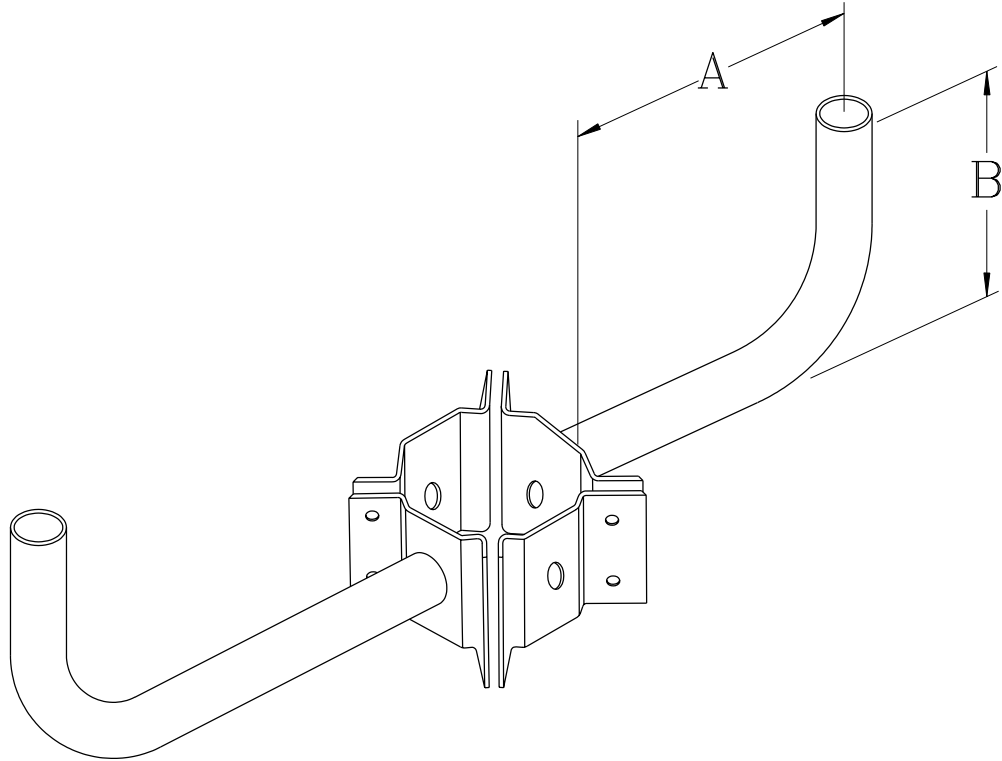


WRAP AROUND BRACKETS  
FOR POLE MOUNTING  
2 ARMS @ 180°



<u>CAT. NO.</u>	<u>FINISH</u>	<u>POLE DIA.</u>	<u>A</u>	<u>B</u>	<u>WT. LBS.</u>
W2-P-7-10	RED PRIMER	7"-10"	16 <sup>3</sup> / <sub>16</sub> "	8 <sup>3</sup> / <sub>8</sub> "	28
W2-G-7-10	HOT DIP GALV.	7"-10"	16 <sup>3</sup> / <sub>16</sub> "	8 <sup>3</sup> / <sub>8</sub> "	30

HARDWARE CONSIST OF ~ (8) 1/2"-13 x 5" TAP BOLT , (8) 1/2"-13 HEX NUTS ,  
(8) 1/2" FLAT WASHERS & (8) 1/2" LOCK WASHERS  
2 PCS. UPWA & 2 PCS. UPWNA

W2-P-10-13	RED PRIMER	10"-13"	16 <sup>3</sup> / <sub>16</sub> "	8 <sup>3</sup> / <sub>8</sub> "	29
W2-G-10-13	HOT DIP GALV.	10"-13"	16 <sup>3</sup> / <sub>16</sub> "	8 <sup>3</sup> / <sub>8</sub> "	31

HARDWARE CONSIST OF ~ (8) 1/2"-13 x 8" HHCS W/ 6" THREADS , (8) 1/2"-13  
HEX NUTS , (8) 1/2" FLAT WASHERS & (8) 1/2" LOCK WASHERS  
2 PCS. UPWA & 2 PCS. UPWNA

ALL BRACKETS SHIPPED COMPLETE WITH HARDWARE.