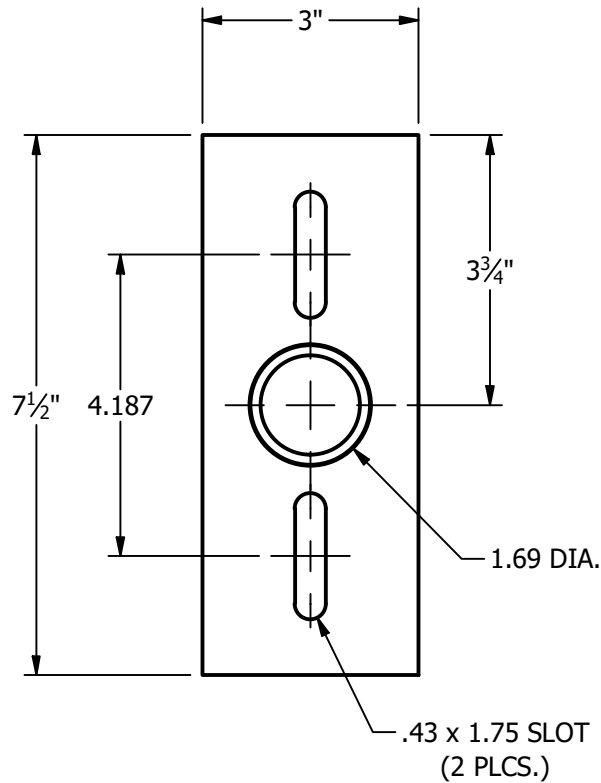
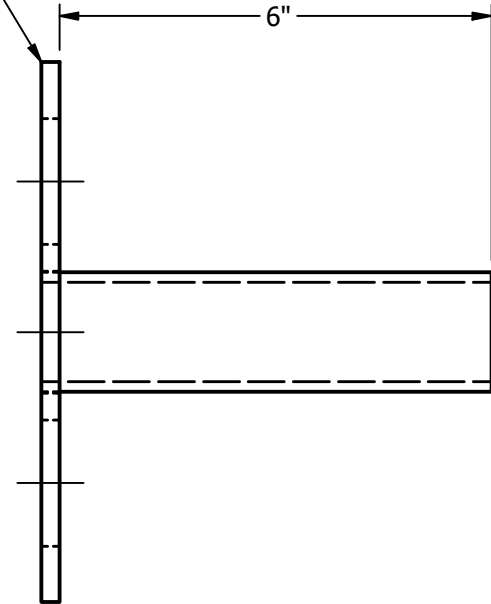


1.66 O.D. x .140 WALL TB.



1/4" PLATE



6"

TOTAL WT. = 2.520 lbmass

REV			
DATE			
BY			
DESCRIPTION			

THIS DOCUMENT CONTAINS PROPRIETARY INFORMATION. DUPLICATION OR DISCLOSURE IS PROHIBITED WITHOUT THE EXPRESSED WRITTEN CONSENT OF FABRICATED METALS LLC

TOLERANCES: UNLESS OTHERWISE SPECIFIED
 FRACTIONAL ±1/8"
 2 PLACE DEC. ±.03
 3 PLACE DEC. ±.005
 ANGULAR ± 1°

DRAWN BY: P. DAUGHERTY
 APPROVED: PD
 ECN:
 SCALE: 3/8" = 1"
 DATE: 2/14/2019

UTILITY METALS
 (A DIVISION OF FABRICATED METALS LLC.)

DESCRIPTION:
1 1/4" x 6" SIDE TENON

PART NO. **ST1-6-**

DWG NO. **F-8662-0** REV **0**