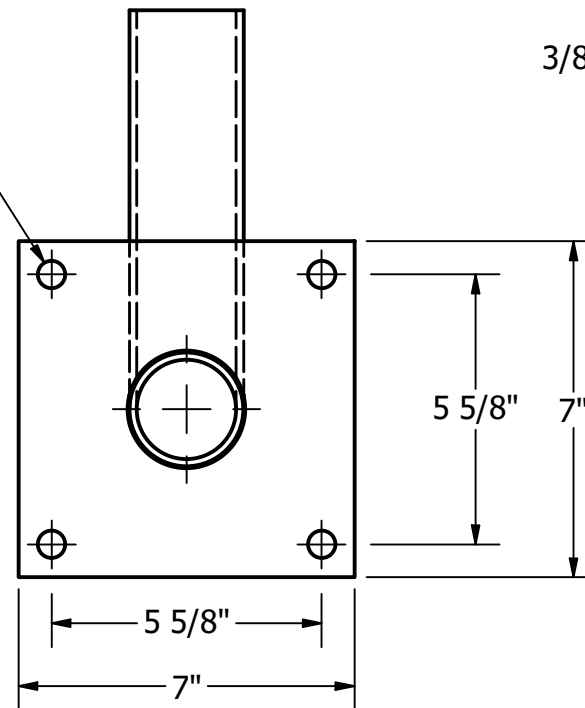
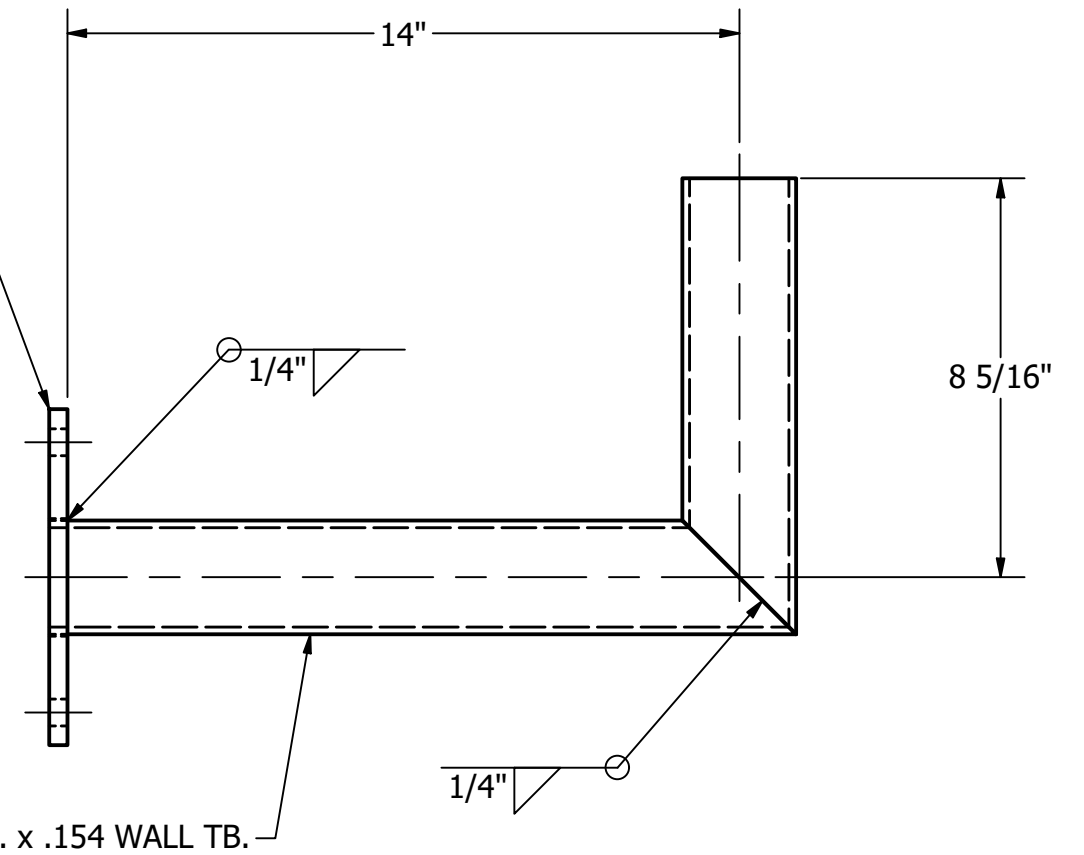


Ø.563" DIA. (4 PLCS.)



3/8" A36 PLATE



TOTAL WT. = 11.518 lbmass

REV	DATE	BY	DESCRIPTION	THIS DOCUMENT CONTAINS PROPRIETARY INFORMATION. DUPLICATION OR DISCLOSURE IS PROHIBITED WITHOUT THE EXPRESSED WRITTEN CONSENT OF FABRICATED METALS LLC	TOLERANCES: UNLESS OTHERWISE SPECIFIED FRACTIONAL ±1/8" 2 PLACE DEC. ±.03 3 PLACE DEC. ±.005 ANGULAR ±1°	DRAWN BY: P. DAUGHERTY APPROVED: PD ECN: SCALE: 1/2" = 1" DATE: 1/2/2019	UTILITY METALS (A DIVISION OF FABRICATED METALS LLC.) DESCRIPTION: 14" RIGHT ANGLE BRACKET	PART NO. RABH14 BKT000086	DWG NO. G-8134-0 REV 0