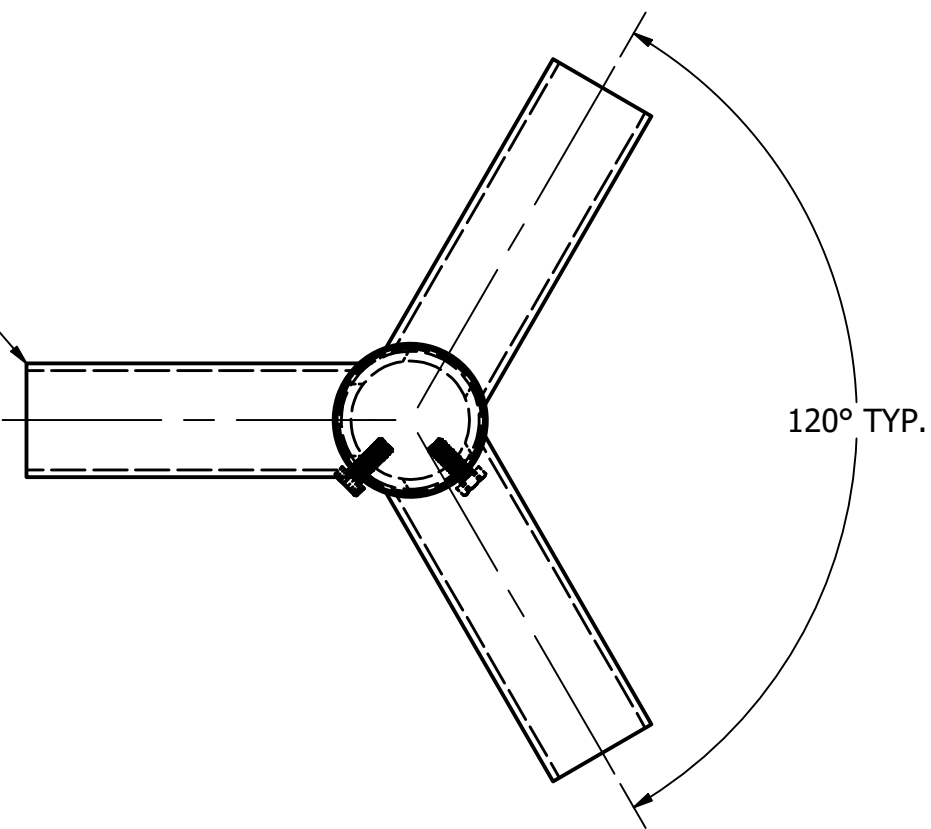
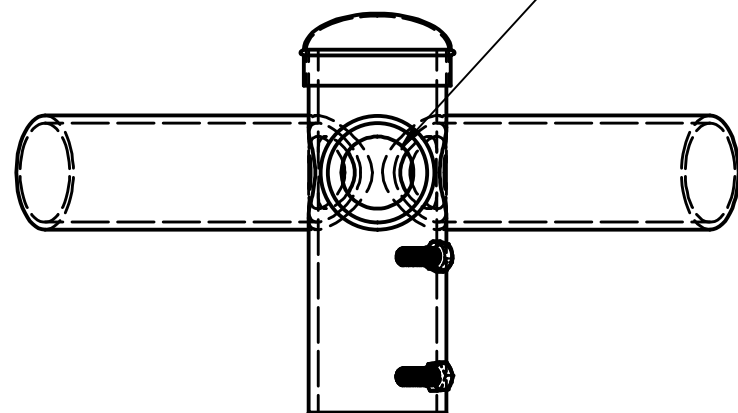


2 3/8" O.D. x .154 WALL TB.

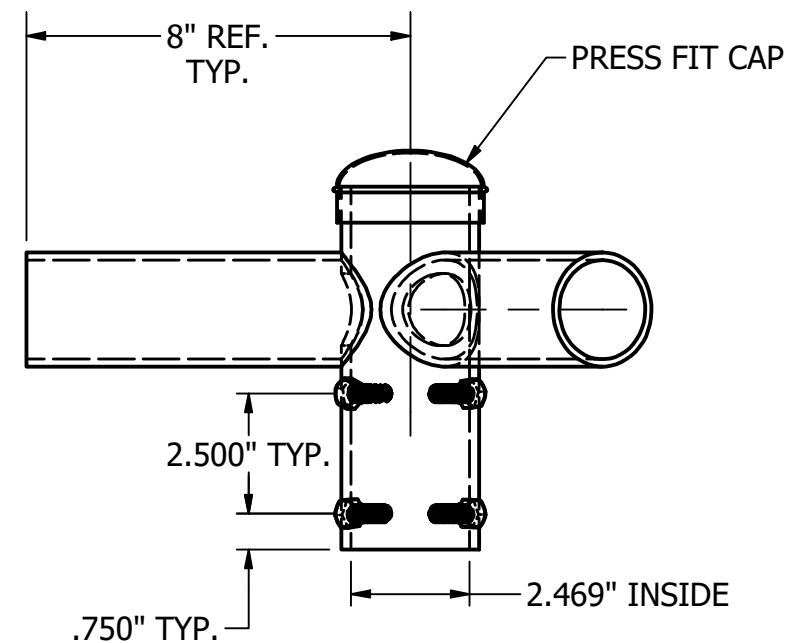


120° TYP.

Ø1 1/2" DIA. (3 @ 120°)



2 7/8" O.D. x .203 WALL TB.



TOTAL WT. = 9.792 lbmass
BRACKET EPA = .7

REV	DATE	BY	DESCRIPTION

THIS DOCUMENT CONTAINS PROPRIETARY INFORMATION. DUPLICATION OR DISCLOSURE IS PROHIBITED WITHOUT THE EXPRESSED WRITTEN CONSENT OF FABRICATED METALS LLC

TOLERANCES: UNLESS OTHERWISE SPECIFIED

FRACTIONAL ±1/8"
2 PLACE DEC. ±.03
3 PLACE DEC. ±.005
ANGULAR ±1°

DRAWN BY: P. DAUGHERTY
APPROVED: PD
ECN:
SCALE: 1/4" = 1"
DATE: 6/4/2018

UTILITY METALS
(A DIVISION OF FABRICATED METALS LLC.)
DESCRIPTION: 2" x 8" 3 @ 120° SPOKE BRACKET FOR 2 3/8" TENON

PART NO. SB-312-08-2
DWG NO. G-8300-0
REV 0