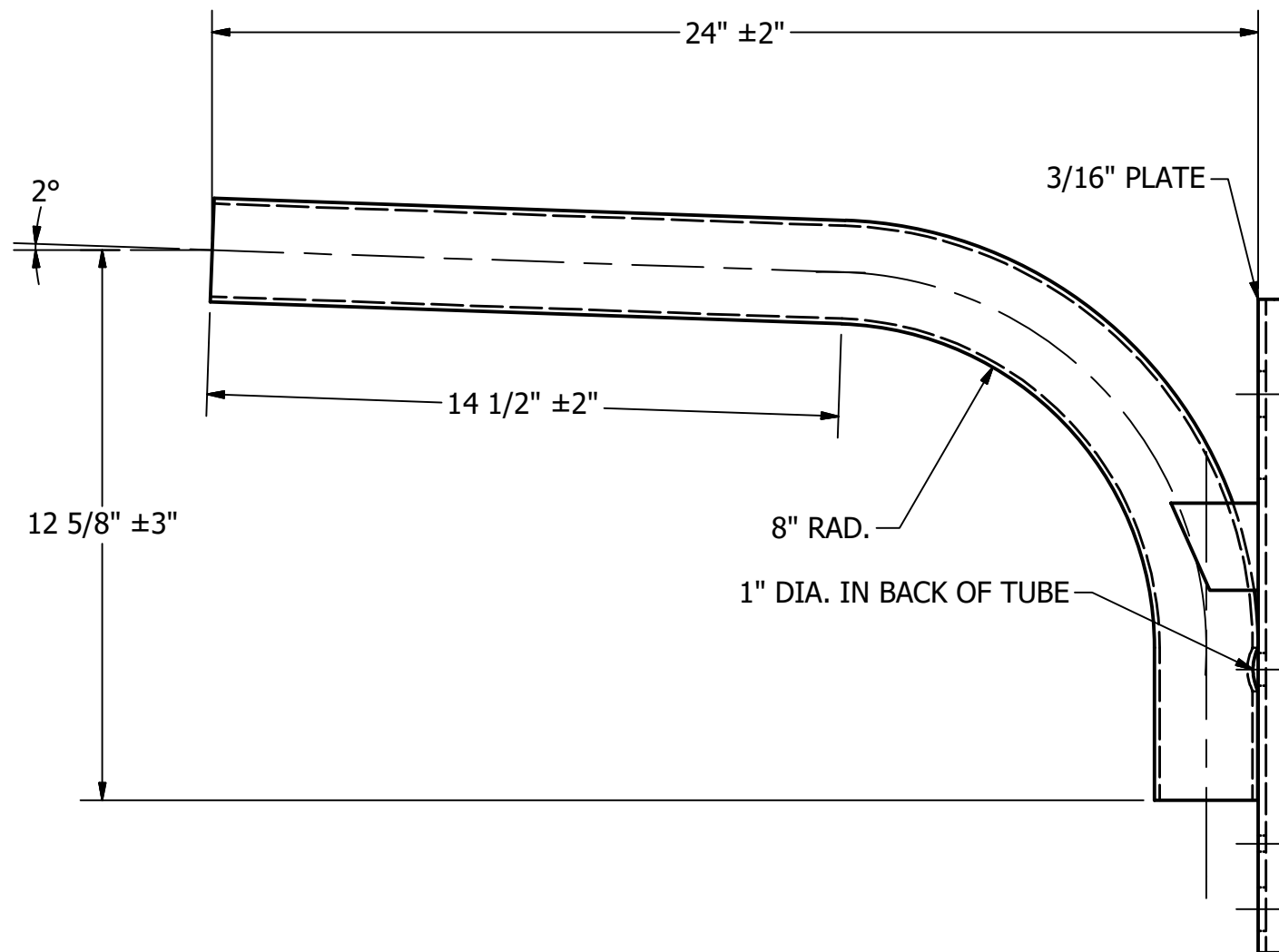
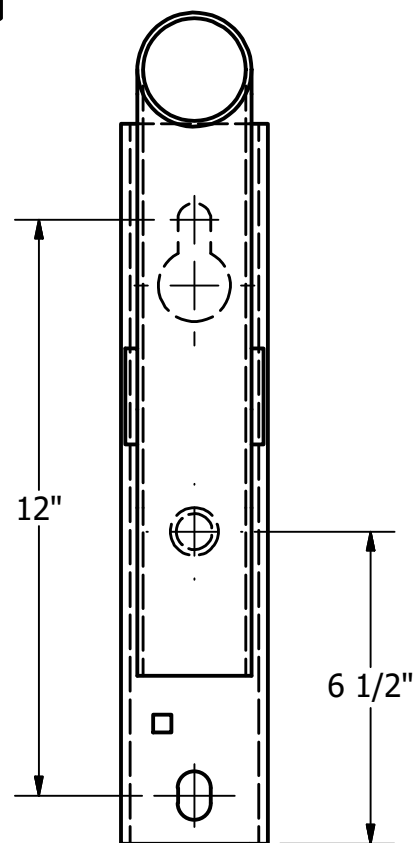
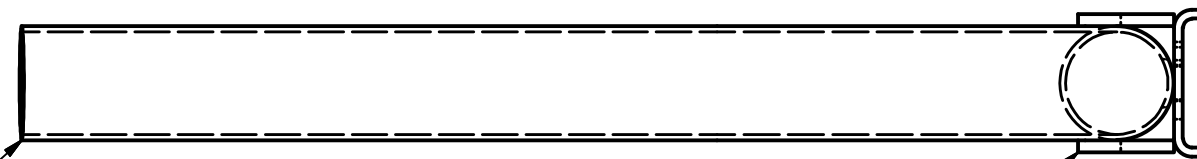


2 3/8" O.D. x .120 WALL TB.

1/4" A36 PLATE



TOTAL WT. = 10.910 lbmass

REV	DATE	BY	DESCRIPTION

THIS DOCUMENT CONTAINS PROPRIETARY INFORMATION. DUPLICATION OR DISCLOSURE IS PROHIBITED WITHOUT THE EXPRESSED WRITTEN CONSENT OF FABRICATED METALS LLC

TOLERANCES: UNLESS OTHERWISE SPECIFIED
 FRACTIONAL ± 1/8"
 2 PLACE DEC. ± .03
 3 PLACE DEC. ± .005
 ANGULAR ± 1°

DRAWN BY: P. DAUGHERTY
 APPROVED: PD
 ECN:
 SCALE: 1/4" = 1"
 DATE: 7/1/2020

UTILITY METALS
 (A DIVISION OF FABRICATED METALS LLC.)
 2" x 2' UNIVERSAL
 BASE BRACKET

PART NO. P200S020B
 DWG NO. G-9243-0
 REV 0