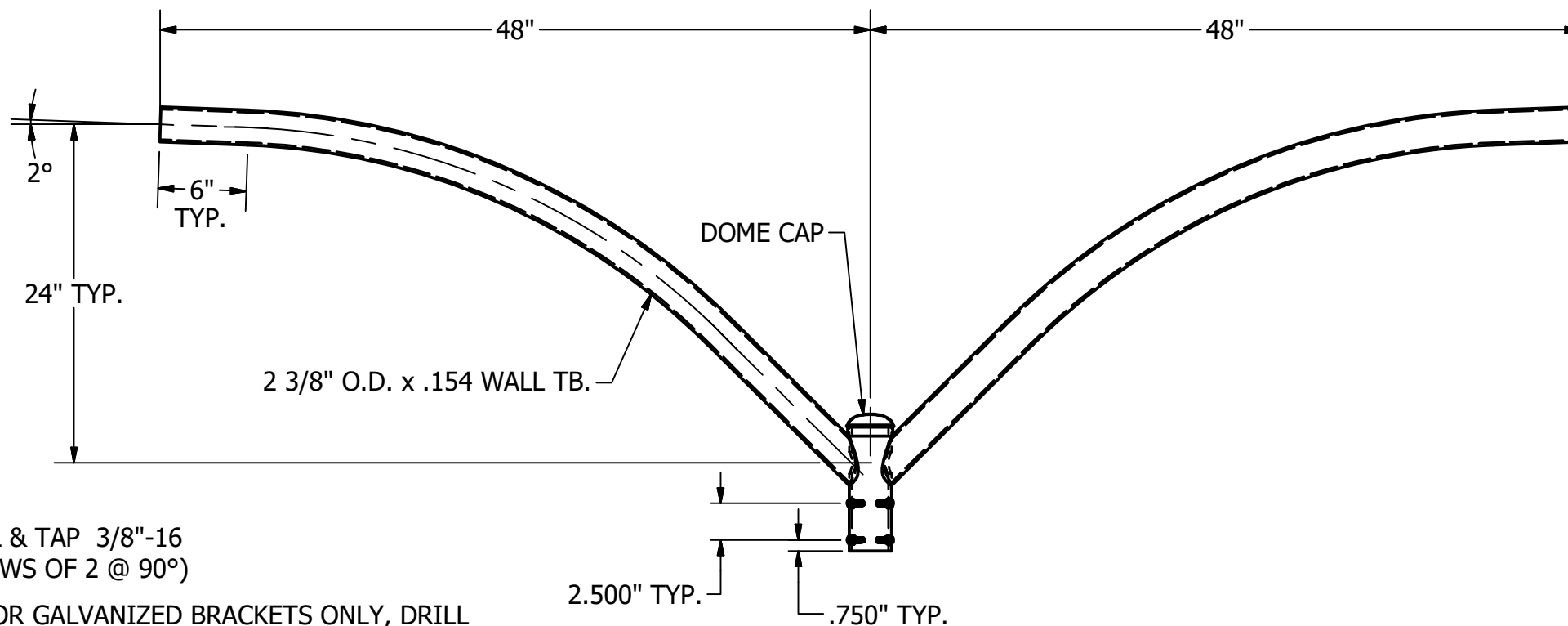


DRILL & TAP 3/8"-16
(2 ROWS OF 2 @ 90°)
FOR GALVANIZED BRACKETS ONLY, DRILL
& TAP 3/8"-16 .010 OVERSIZED TAP



TOTAL WT. = 37.393 lbmass

REV	DATE	BY	DESCRIPTION

THIS DOCUMENT CONTAINS PROPRIETARY INFORMATION. DUPLICATION OR DISCLOSURE IS PROHIBITED WITHOUT THE EXPRESSED WRITTEN CONSENT OF FABRICATED METALS LLC

TOLERANCES: UNLESS OTHERWISE SPECIFIED
 FRACTIONAL ±1/8"
 2 PLACE DEC. ±.03
 3 PLACE DEC. ±.005
 ANGULAR ±1°
 DRAWN BY: P. DAUGHERTY
 APPROVED: PD
 ECN:
 SCALE: 3/32" = 1"
 DATE: 7/22/2020

UTILITY METALS
 (A DIVISION OF FABRICATED METALS LLC.)
 DESCRIPTION: 2" x 4' 2 @ 180° UPSWEEP BRACKET TO SLIPFIT 2 3/8" TENON

PART NO. UB2-4-2
 DWG NO. G-9273-0
 REV 0