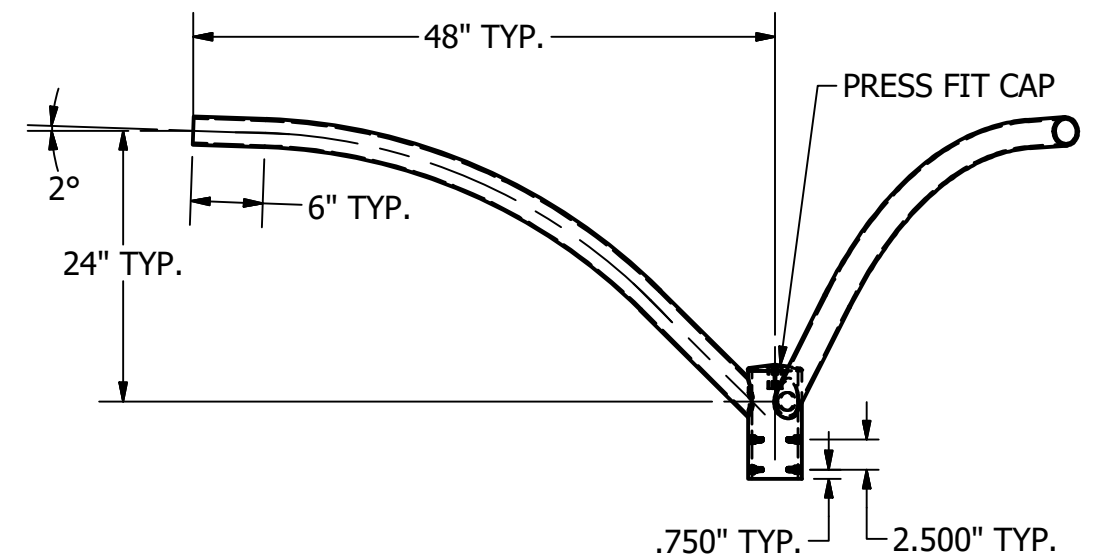


FOR GALVANIZED BRACKETS ONLY, DRILL & TAP 3/8"-16 .010 OVERSIZED TAP



TOTAL WT. = 59.827 lbmass

				THIS DOCUMENT CONTAINS PROPRIETARY INFORMATION. DUPLICATION OR DISCLOSURE IS PROHIBITED WITHOUT THE EXPRESSED WRITTEN CONSENT OF FABRICATED METALS LLC	TOLERANCES: UNLESS OTHERWISE SPECIFIED FRACTIONAL ±1/8" 2 PLACE DEC. ±.03 3 PLACE DEC. ±.005 ANGULAR ±1°	DRAWN BY: P. DAUGHERTY	UTILITY METALS (A DIVISION OF FABRICATED METALS LLC.)	PART NO. UB3-4-3.5		
						APPROVED: PD		DESCRIPTION: 2" x 4' 3 @ 120° UPSWEEP BRACKET TO SLIP 3 1/2" TENON	DWG NO. G-9292-0	
						ECN:			REV 0	
REV DATE BY DESCRIPTION						SCALE: 1/16" = 1" DATE: 8/4/2020				