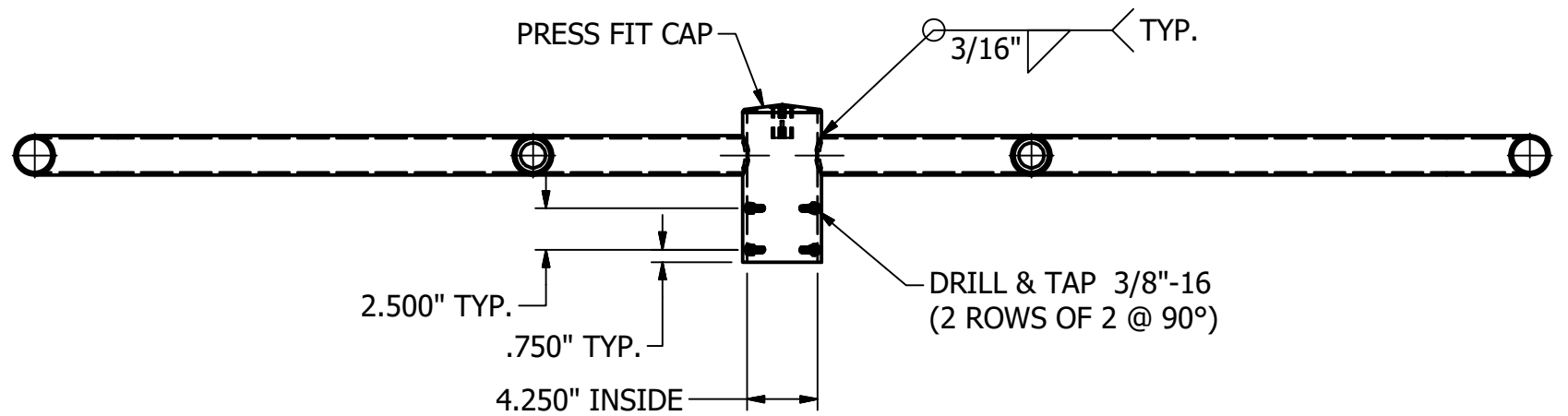
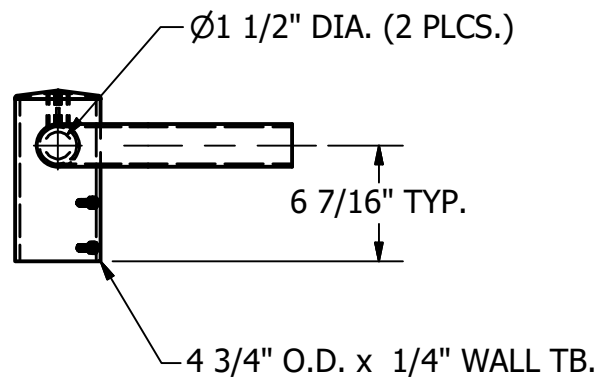
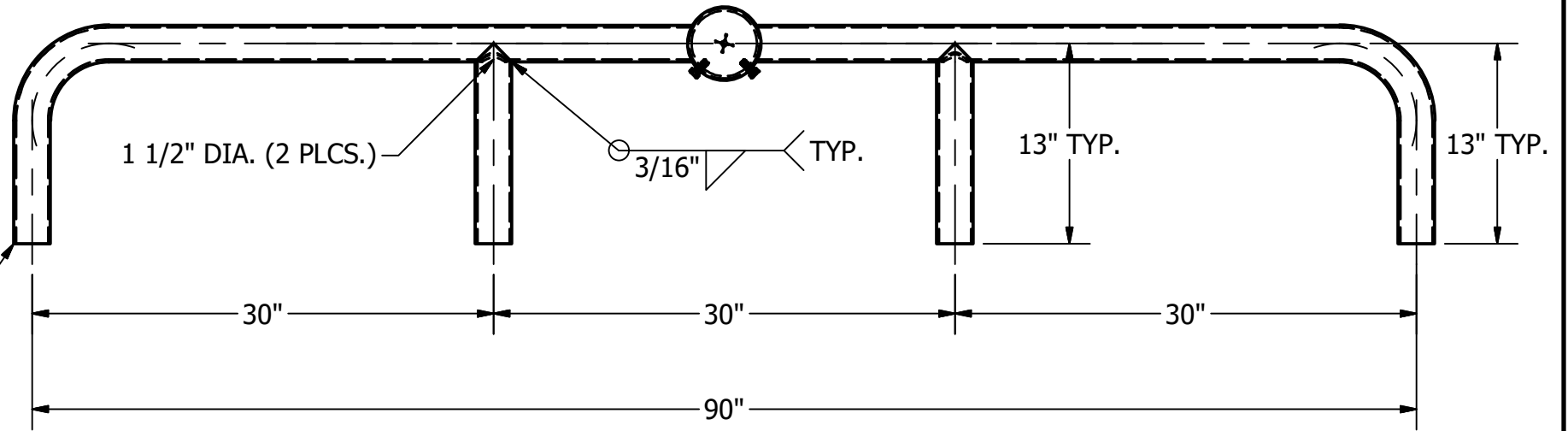


2 3/8" O.D. x .154 WALL TB.



FOR GALVANIZED BRACKETS ONLY DRILL & TAP 3/8"-16 .010 OVERSIZED TAP.

TOTAL WT. = 48.912 lbmass

REV	DATE	BY	DESCRIPTION

THIS DOCUMENT CONTAINS PROPRIETARY INFORMATION. DUPLICATION OR DISCLOSURE IS PROHIBITED WITHOUT THE EXPRESSED WRITTEN CONSENT OF FABRICATED METALS LLC	TOLERANCES: UNLESS OTHERWISE SPECIFIED	DRAWN BY: P. DAUGHERTY
	FRACTIONAL ±1/8"	APPROVED: PD
	2 PLACE DEC. ±.03	ECN:
	3 PLACE DEC. ±.005	SCALE: 3/32" = 1"
	ANGULAR ±1°	DATE: 9/8/2020

<b>UTILITY METALS</b> (A DIVISION OF FABRICATED METALS LLC.)
DESCRIPTION: <b>4 LIGHT 30" HORIZONTAL BULLHORN BRACKET TO SLIP 4" TENON</b>

PART NO. <b>HS4-S30-4</b>
DWG NO. <b>G-9359-0</b>
REV <b>0</b>