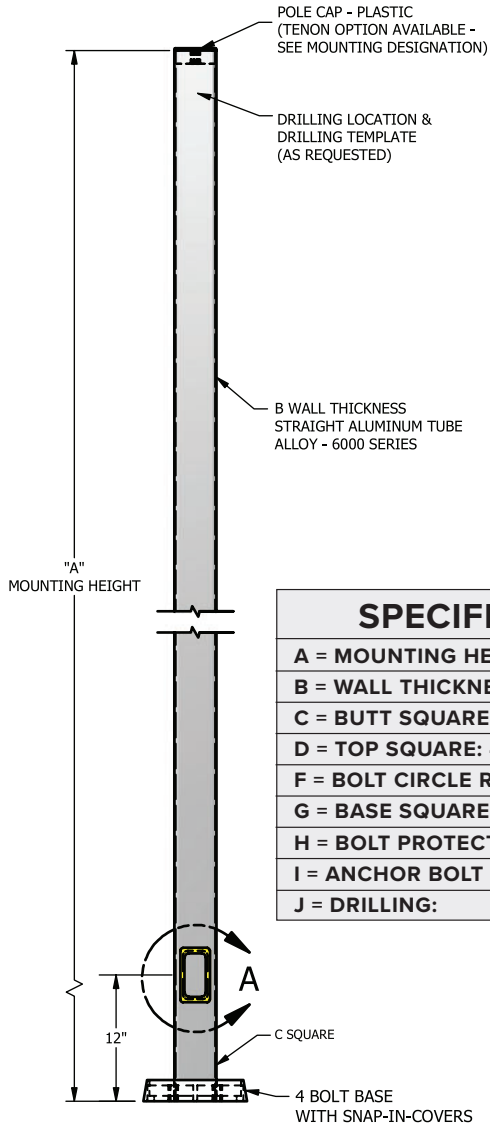
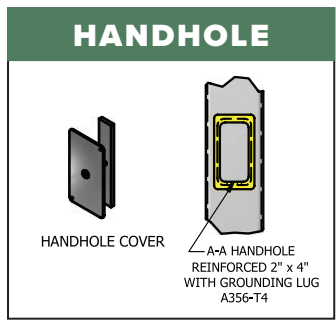
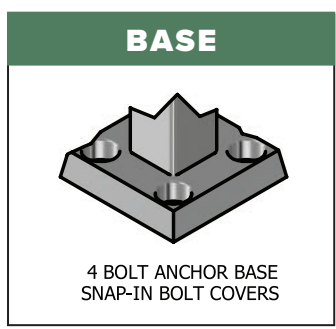
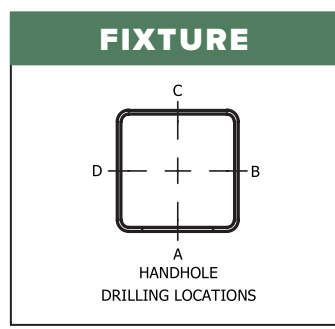
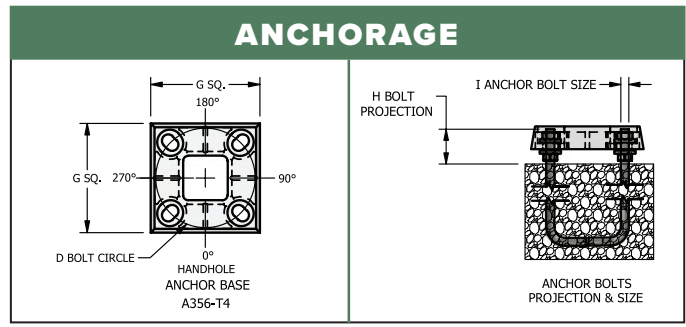


JOB NAME			PART NO.		
DESCRIPTION:			DRAWING NO.		REV
DRAWN BY:	APPROVED:	ECN:	SCALE:	DATE:	



SPECIFICATIONS
<b>A = MOUNTING HEIGHT:</b>
<b>B = WALL THICKNESS: .125</b>
<b>C = BUTT SQUARE: 4"</b>
<b>D = TOP SQUARE: 4"</b>
<b>F = BOLT CIRCLE RANGE: 8.5" - 9.5"</b>
<b>G = BASE SQUARE: 9.938"</b>
<b>H = BOLT PROTECTION: 3.12"</b>
<b>I = ANCHOR BOLT SIZE: 3/4" X 20" X 3"</b>
<b>J = DRILLING:</b>



2013 AASHTO MAXIMUM EPA RATINGS WITH 3 SEC. WIND GUST								
ALUMINUM SQUARE STRAIGHT POLE SSA-4.0-0.125 SERIES								
PART NUMBER	MAX WT LBS	90 MPH SQ FT	100 MPH SQ FT	110 MPH SQ FT	120 MPH SQ FT	130 MPH SQ FT	140 MPH SQ FT	150 MPH SQ FT
SSA 4 125 8	350	22.20	17.60	14.20	11.60	9.60	8.20	6.90
SSA 4 125 10	260	17.00	13.30	10.80	8.60	7.00	5.80	4.80
SSA 4 125 12	260	13.40	10.40	8.20	6.40	5.20	4.10	3.30
SSA 4 125 14	200	10.80	8.20	6.20	4.80	3.60	2.70	2.00
SSA 4 125 16	200	8.60	6.30	4.60	3.40	2.40	1.60	1.00
SSA 4 125 18	100	6.60	4.70	3.30	2.20	1.30	0.60	NA
SSA 4 125 20	150	5.30	3.50	2.20	1.20	0.40	NA	NA